



Description

3 Way L or T Port, full bore ball valve. body material in CF8M/316, with 5 seat design reinforced PTFE and live loaded chevron PTFE gland packing. The valve is fitted direct onto our HQ range of electric actuators. Available in a wide range of voltages and control options to suit your requirements. High quality electrical components and alloy gearing ensure reliability and extended life span. The actuator has additional features such as position indicator, limit switches, anti condensation heaters and a manual hand wheel override (for opening or closing in the event of power failure). Pressure rating of the valve 1000 PSI and temperatures up to 200°C. Connections are Screwed BSP or NPT, Butt or Socket Weld. Available in either L port or T port.

Information

This multi ported valve can be dismantled and welded inline, without fear of warping the seats. Spares seats and seals are readily available. Cavity filled seats can be offered for sanitary applications.

Actuation Pneumatic and Electric.

Options include extension TSM (for lagging), Jackets and gearbox overrides.

3 Way Electric Actuated 316 Full Bore Ball Valve

- 3 Way diverting L or T Configuration
- Full Bore Threaded or Weld Ends
- 1000 psi Rated, 200°C



Description

Electrically operated multi port 3 way (L or T port) ball valve in sizes from 1/4" to 4". Connections are either screwed BSP/NPT or Socket/Butt weld ends. The valve is fitted directly onto our HQ high performance electric actuator, supplied in various voltages, IP65 protected with many optional extras. The Valve is full bore and has reinforced PTFE ball seats that are easily replaced for maintenance purposes. Pressures up to 1000 PSI and temperature Range -20°C to 200°C.



Beschreibung

Elektrisch betriebene Multi -Port 3-Wege (L oder T -Anschluss) Kugelhahn in den Größen von 1/4 "bis 4". Der Anschluss erfolgt entweder verschraubt BSP / NPT oder Sockel / Schweißenden . Das Ventil wird direkt auf unsere HQ Hochleistungs-Elektroeinbau Stellglied , in verschiedenen Spannungen versorgt , IP65 mit vielen Sonderausstattungen geschützt. Das Ventil wird mit vollem Durchgang und hat PTFE Kugelsitze , die leicht zu Wartungszwecken ausgetauscht werden . Drücke bis zu 1000 PSI und Temperaturbereich - 20°C bis 200°C verstärkt



Descripción

Eléctricamente operado de múltiples puertos de 3 vías (L o conexión T) válvula de bola en tamaños de 1/4 "a 4" . Las conexiones se atornillan ya sea BSP / NPT o Socket / Butt termina soldadura. La válvula se monta directamente en nuestra sede de alto rendimiento eléctrico actuador , suministrado en diversos voltajes , IP65 protegido con muchos extras opcionales. La válvula es ánima llena y ha reforzado asientos de bola de PTFE que se reemplazan fácilmente para fines de mantenimiento . Presiones hasta 1000 PSI y de la temperatura de la gama de - 20°C a 200°C.



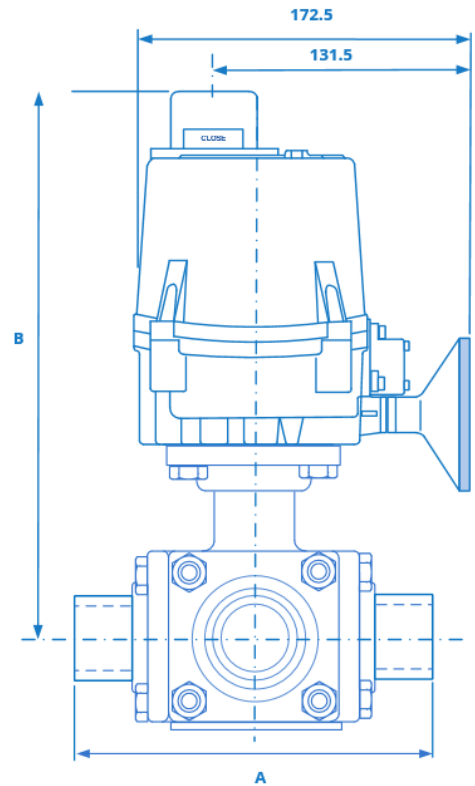
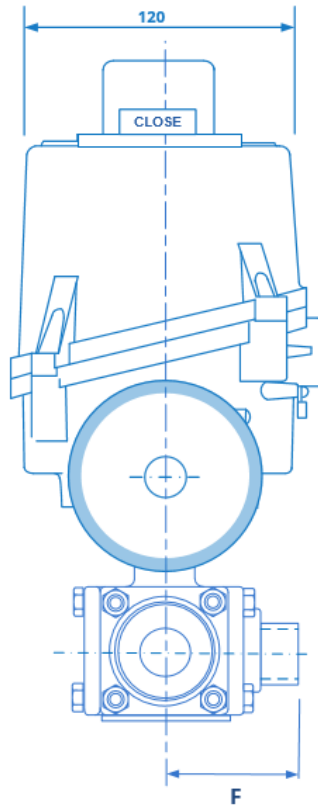
Description

Électriquement exploité plusieurs ports 3 voies (L ou le port T) vanne à bille dans les tailles de 1/4 "à 4" . Les connexions sont soit vissés BSP / NPT ou Socket / embouts à souder . La vanne est fixé directement sur notre QG haute performance électrique actionneur , fourni en diverses tensions , IP65 protégée avec de nombreux extras en option . La vanne est plein alésage et a renforcé PTFE sièges à billes qui sont facilement remplacés à des fins de maintenance . Pressions jusqu'à 1000 PSI et de la température -20°C à 200°C



Features

- Multi voltage design (Single phase & 24V)
- High corrosion resistance, anodized & painted housing
- 4 off Limit switches
- Torque output: 50 Nm
- low current, long-life actuator due to unique brushless DC motor ensuring high reliability
- 2 off M20 cable entries
- IP67 weatherproof enclosure
- F03/F04/F05/F07 mounting base with 14mm Star drive
- Captive cover bolts
- Visual beacon indicator & LED lamps
- 70% Duty Rating (on/off only)
- Declutchable manual override handwheel
- Electronic torque limiter



Standard Actuator Specification HQ005

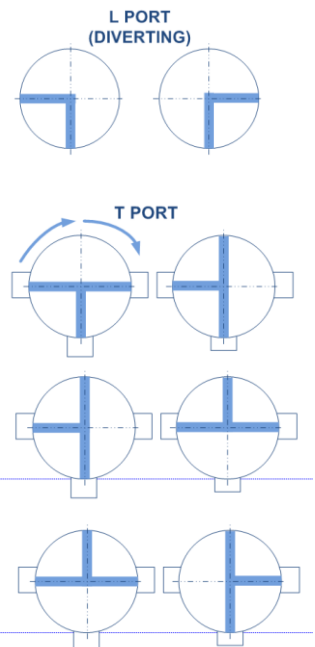
Enclosure	: Weatherproof IP67
Power Supply	: 110/220VAC, 24 DC/AC
Operating Time	: 90° 30 Seconds
Limit Switches	: 4 x SPDT, 250V AC 10 A, (2 std 2 add)
Space Heater	: 2W (110/240V AC)
Manual Override	: Handwheel Declutchable
Rated Duty Cycle	: S4 70% (average load of 80%)
	: S2 50% (average load of 80% max torq)
Conduit Entries	: 2 x M20
Ambient Temperature	: -20 °C to + 80 °C
External Coating	: Dry Powder, Polyester

Dimensions

Size	Electric Actuator	A	F	B
1/2"	HQ005	92	165	225.9
3/4"	HQ005	110	190	236.2
1"	HQ005	144	220	246.1
1.1/4"	HQ005	146	235	260.5

Pressure Ratings

1/4" - 1" 1000 PSI
1 1/4" - 2" 800 PSI
2 1/2" - 4" 600 PSI



PERFORMANCE

MODEL	HQ005
TORQUE(Nm)	50
SPEED 90° 50/60Hz	13
CURRENT 110/1/50	0.1A
(A) 220/1/50	0.05A
24 VAC/DC	0.8 A
WEIGHT	2.6
MAX.SQ.DRIVE	14
ISO 5211 mtg. base	F03, F04, F05, F07

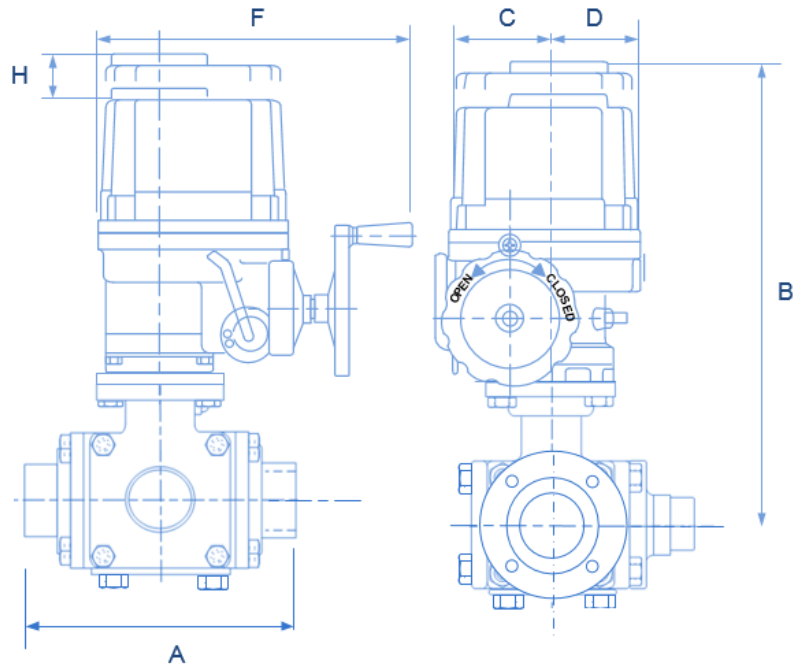
OPTION SPECIFICATION

PIU	: Potentiometer Unit (1K – 10K)
PCU	: Proportional Control Unit (In/Out: 0-10VDC, 4-20mA)
CPT	: Current Position Transmitter (Output 4-20mA)
TS	: Torque overload indicator module (single & redundancy)

- Using HQ008 and above
- Screwed and Weld Options
- Powerful Electric Actuator
- L or T Port for Diverting
- Manual Override
- Many Optional Extras

Pressure Ratings

1/4" - 1" 1000 PSI
1 1/4" - 2" 800 PSI
2 1/2" - 4" 600 PSI

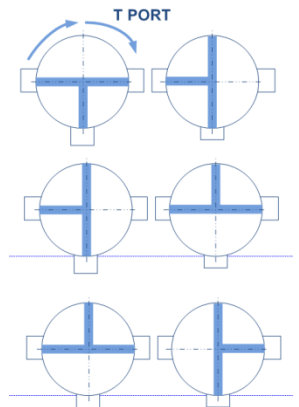
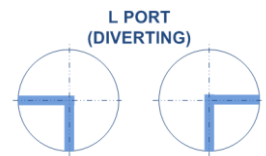


Standard Actuator Specification HQ008 & above	
Enclosure	: Weatherproof IP67 (IP68 Option)
Power Supply	: 110/220V 1PH, 24VAC/24VDC 380 3PH
Operating Time	: see chart
Limit Switches	: 4 x SPDT, 250V AC 10A
Space Heater	: 20W (110/240V AC)Anti Condensation
Manual Override	: Handwheel Declutchable
Duty Cycle (on/offduty)	: S4, 70% standard, 100% for Max 30 Mins
Travel Angle	: 90°
Conduit Entries	: 2 x M25 (PG13.5 or 1/2"NPT Option)
Ambient Temperature	: -20 °C to + 60 °C
Rated Current (Amps)	: 24VAC-0.3A, 24 VDC 0.2A, 110VAC-0.4A, 240VAC-0.2A
External Coating	: Dry Powder, Polyester

Dimensions shown are for guidance only

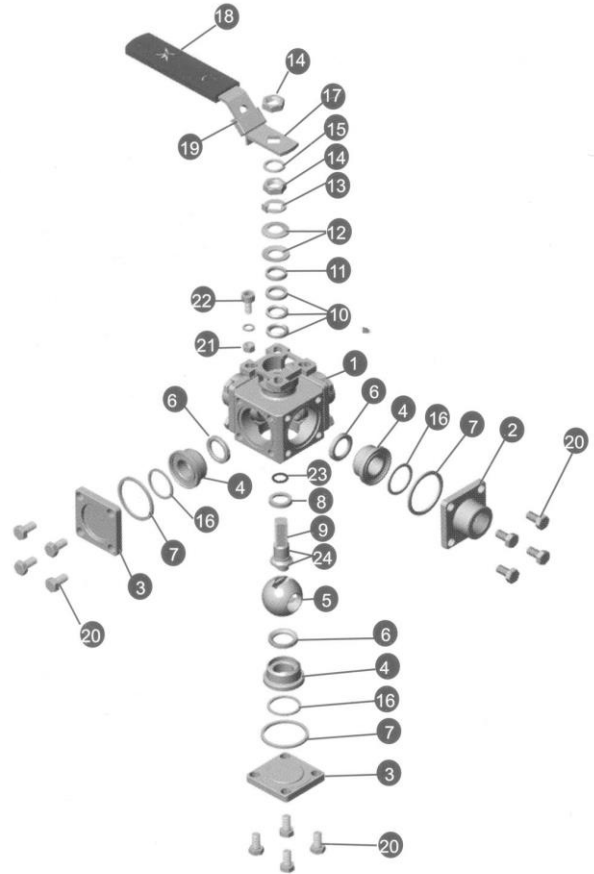
Dimensions							
Size	Electric Actuator	A	B	C	D	F	W (kg)
1.1/2"	HQ008	270	215	100	235	258	25
2"	HQ015	290	261.6	142	268	338	49
2.1/2"	HQ015	330	280	142	268	338	58
3"	HQ020	340	292.9	142	268	338	60
4"	HQ030	403	344	160	290	368	91

Actuator Specification						
Type (model)	Max Output Torque	Operating Time 50/60Hz	Motor Class E/F	Current A		Weight
		90		110VAC	220 VAC	W (kg)
HQ008	80NM	16/13 Secs	103/103	1.1	0.55	17
HQ015	150NM	25/21 Secs	185/166	1.65	0.88	34
HQ020	200NM	25/21 Secs	185/166	1.67	0.89	40
HQ30	300NM	25/21 Secs	185/166	1.67	0.89	40



Materials

No.	Part Name	Material	Qty
1	Body	ASTM A351 Gr. CF8M	1
2	End Cap A	ASTM A351 Gr. CF8M	3
3	End Cap B	ASTM A351 Gr. CF8M	2
4	Stem Retainer	ASTM A351 Gr. CF8M	5
5	Ball	SUS316	1
6	Seat	PTFE/RTFE	5
7	Joint Gasket	PTFE	5
8	Stem Seal	PTFE	1
9	Stem	SUS316	1
10	Gland Packing	25% Glass Fibre Filled + PTFE	SET
11	Gland Bush	SUS304	1
12	Belleville Washer	SUS301	2
13	Stop Washer	SUS304	1
14	Stem Nut	SUS304	2
15	Stem Washer	SUS304	1
16	Retainer Seal	PTFE	5
17	Handle	SUS304	1
18	Handle Sleeve	Vinyl	1
19	Locking Device	SUS304	1
20	Bolt Nut	SUS304	20
21	Pin Nut	SUS304	1
22	Stop Pin	SUS304	1
23	O-Ring	VITON	1
24	Antistatic Device	SUS304	#



Valves Technical and Parts List

Part Name	Material
Body	ASTM A351Gr. CF8M
Cap	ASTM A351Gr. CF8M
Ball	SUS316
Stem	SUS316

Pressure Ratings
 1/4" - 1" 1000 PSI
 1 1/4" - 2" 800 PSI
 2 1/2" - 4" 600 PSI

Pressure / Temperature Chart

