



Pneumatic Actuated Hygienic Ball valve

- No Dead Space in Through Path
- Encapsulated Hygienic Seats
- All Materials Comply with FDA Requirements
- Clamp and OD Weld End Connections
- Double Acting and Spring Return
- Fully Maintainable

Description

VOLT range of pneumatically actuated sanitary ball valves, fulfil a wide variety of on-off hygienic applications. Available in spring return and double acting, in Plain weld OD and Tri Clamp ends which exhibit high flow rates by virtue of the true tube full port which offers no dead space in the through path. All actuators are design to the latest ISO/Namur standards and are ATEX approved. End of Stroke adjustment ($\pm 5^\circ$) is fitted as standard.

The ball valves are of 3 piece design and fitted with encapsulated FDA approved PTFE seats and suitable for CIP cleaning.

The actuators fit directly onto the valves so no mounting kit (unless stated) is required, thus making the package more compact and cost effective.

Flush and Drain (CIP/SIP) Capability

Boses are provided in the end caps for both flush and drain capability in applications where material can become trapped in the body cavity.



Description

Pneumatically operated ultra pure ball valve, having cavity filled hygienic seats in sizes ranging from 1/2" to 4". The valve is a three piece design that can be maintained. We offer OD weld or Tri-clamp end connections with a choice of Spring Closed or Double Acting Actuator. Pressures up to 1000 PSI and temperature Range -20°C to 180°C.



Beschreibung

Pneumatisch betätigt Reinstwasser Kugelhahn, mit Hohlraum gefüllt hygienischen Sitze in Größen von 1/2 "bis 4" . Das Ventil ist ein dreiteiliges Design, das erhalten werden kann. Wir bieten OD Schweiß- oder Tri -Clamp- End-Verbindungen mit einer Auswahl von Frühling Geschlossen oder doppelwirkender Antrieb . Drücke bis zu 1000 PSI und Temperaturbereich -20 ° C bis 180 ° C .



Descripción

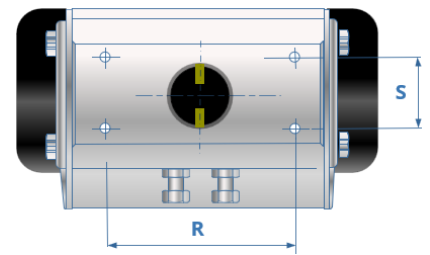
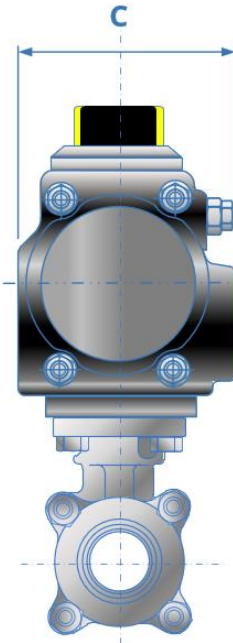
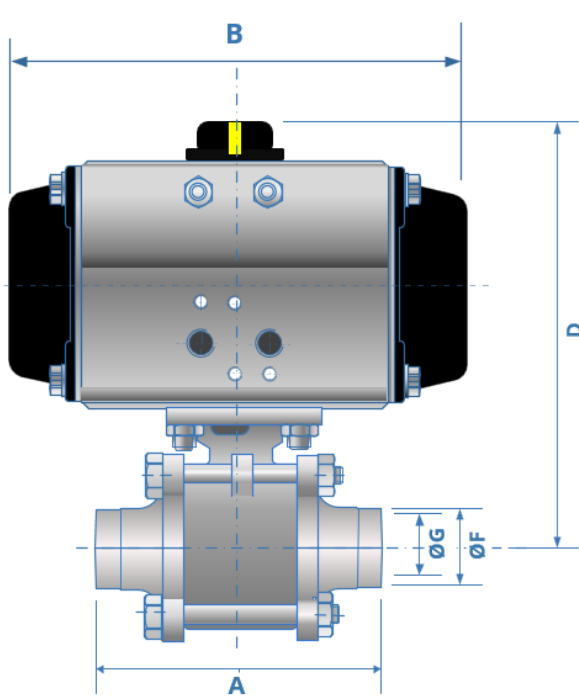
De accionamiento neumático válvula de bola de ultra pura , teniendo la cavidad llena de asientos de higiene en tamaños que van desde 1/2 "a 4" . La válvula es un diseño de tres piezas que se puede mantener . Ofrecemos soldadura DO o Tri -clamp conexiones finales con una selección de Primavera Cerrado o actuación doble actuador . presiones hasta 1000 PSI y rango de temperatura -20°C a 180°C .



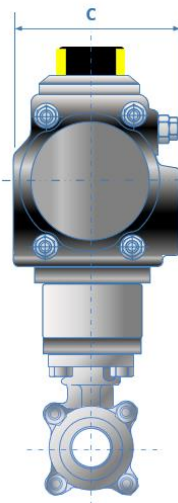
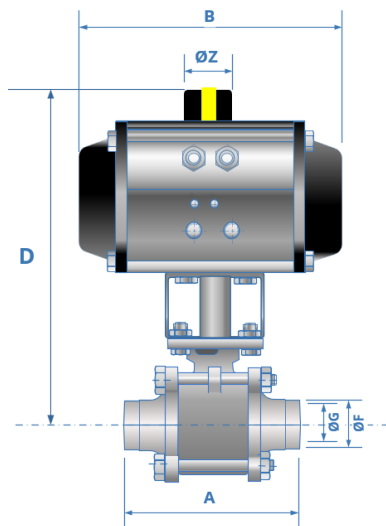
Description

Vanne à commande pneumatique de balle ultra pure, ayant cavité remplie sièges d'hygiène dans des tailles allant de 1/2" à 4" . La vanne est une conception à trois pièces qui peut être maintenue . Nous offrons soudeure OD ou Tri-clamp raccords d'extrémité avec un choix de printemps Fermé ou actionneur double effet . pressions jusqu'à 1000 PSI et Plage de température -20°C à 180°C .

PA4111



OD Weld Ends



With Mounting Bracket

Can be combined with Switch box and Solenoids



Dimensions Single Acting

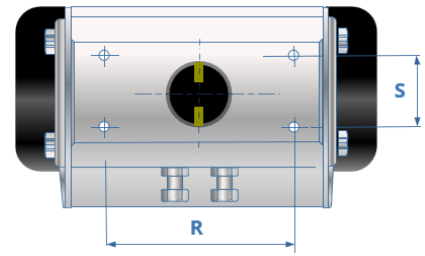
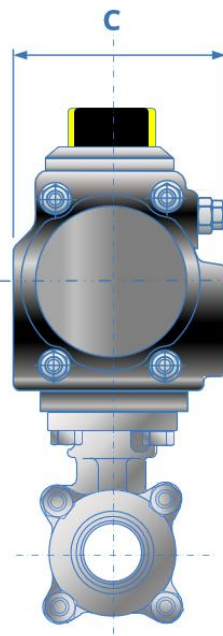
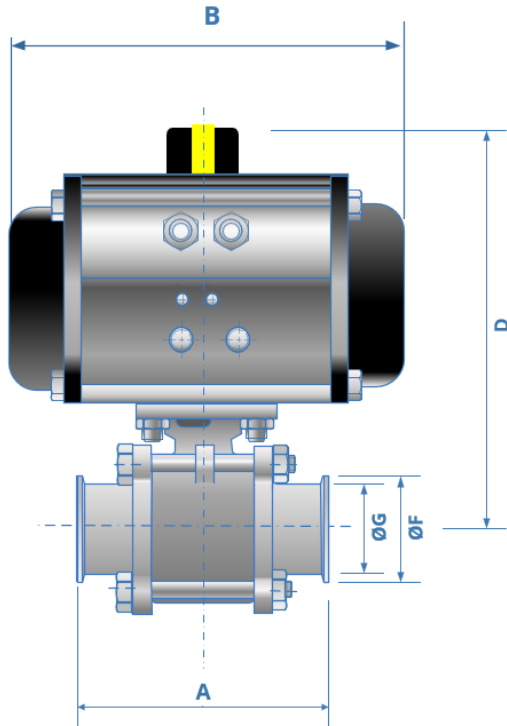
Valve	Spring Return	A	B	C	D	Bracket	R	S	ØG	ØF	Kg
½" (15mm)	HP63S	140	163	85	306	✓	50	30	9.4	12.7	2.5
¾" (20mm)	HP63S	146	163	85	306	✓	50	30	15.75	19	2.5
1" (25mm)	HP66S	158	202	85	272	x	50	30	22.2	25.4	3.8
1½" (40mm)	HP88S	190	247	108	351	x	50	30	34.9	38.1	7.6
2" (50mm)	HP100S	216	268	123	363	x	50	30	47.5	50.8	10.7
2½" (65mm)	HP115S	247.8	316	141	466	x	50	30	60.3	63.5	19
3" (80mm)	HP125S	266.8	347	151	549	x	50	30	73	76.2	24
4" (100mm)	HP125S	317	347	151	549	x	50	30	97.4	101.6	25

Dimensions Double Acting

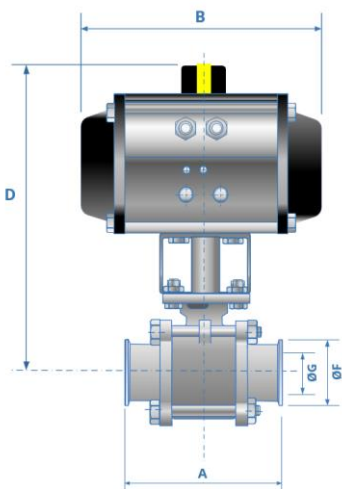
Valve	Double Acting	A	B	C	D	Bracket	R	S	ØG	ØF	Kg
½" (15mm)	HP50D	139.8	144	72	232	x	50	30	9.4	12.7	2.2
¾" (20mm)	HP50D	146	144	72	232	x	50	30	15.75	19	2.2
1" (25mm)	HP63D	158	163	85	272	x	50	30	22.2	25.4	3.6
1½" (40mm)	HP75D	190	210	96	339	x	50	30	34.9	38.1	7.5
2" (50mm)	HP75D	216	210	96	351	x	50	30	47.5	50.8	10.2
2½" (65mm)	HP100D	247.8	268	123	448	x	50	30	60.3	63.5	18
3" (80mm)	HP100D	266.8	268	123	549	x	50	30	73	76.2	21.5
4" (100mm)	HP115D	317	316	141	549	x	50	30	97.4	101.6	24

All information is sourced from our manufacturer's data and is intended for guidance only - Valves Online can accept no liability for changes, omissions or errors.

PA4111



Tri-Clamp Ends



With Mounting Bracket

Modulating Positioner
Can be combined with



Dimensions Single Acting

Valve	Spring Return	A	B	C	D	Bracket	R	S	ØF	ØG	Kg
½" (15mm)	HP63S	89.1	163	85	306	✓	50	30	20	12.7	2.5
¾" (20mm)	HP63S	102	163	85	306	✓	50	30	23	19.1	2.5
1" (25mm)	HP66S	115	202	85	272	x	50	30	25	25.4	3.8
1½" (40mm)	HP88S	140	247	108	351	x	50	30	25	38.1	7.6
2" (50mm)	HP100S	159	268	123	363	x	50	30	25	50.8	10.7
2½" (65mm)	HP115S	174	316	141	466	x	50	30	25	63.5	19
3" (80mm)	HP125S	193	347	151	549	x	50	30	25	76.2	24
4" (100mm)	HP125S	226	347	151	549	x	50	30	25	102	25

Dimensions Double Acting

Valve	Double Acting	A	B	C	D	Bracket	R	S	ØF	ØG	Kg
½" (15mm)	HP50D	89.1	144	72	232	x	50	30	20	12.7	2.2
¾" (20mm)	HP50D	102	144	72	232	x	50	30	23	19.1	2.2
1" (25mm)	HP63D	115	163	85	272	x	50	30	25	25.4	3.6
1½" (40mm)	HP75D	140	210	96	339	x	50	30	25	38.1	7.5
2" (50mm)	HP75D	159	210	96	351	x	50	30	25	50.8	10.2
2½" (65mm)	HP100D	174	268	123	448	x	50	30	25	63.5	18
3" (80mm)	HP100D	193	268	123	549	x	50	30	25	76.2	21.5
4" (100mm)	HP115D	226	316	141	549	x	50	30	25	102	24

All information is sourced from our manufacturer's data and is intended for guidance only - Valves Online can accept no liability for changes, omissions or errors.

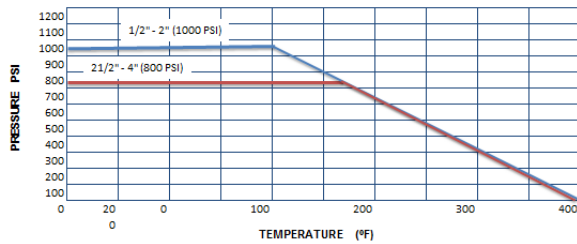
PA4111

Technical - Actuator

Body material	Hard anodised extruded aluminium alloy
End Caps	Die cast aluminium epoxy coated
Spring	High tensile steel
Indicator	Open/Closed
Pinion shaft	Alloy steel nickle plated
Pinion Guides	Self Lubricating Polypropylene + GF
Piston seals	NBR steel
Specification	
Pressure range	10 Bar
Double acting	2.5 Bar - 8 Bar
Single acting - Open or Close	2.5 Bar - 8 Bar
Temperture range	minus 20°C - 80°C
Movement	90 Degree adjustable -5-+5 Degree
Lubrication	All moving parts are lubricated
Cycle Life	1,000,000 operations
Approvals	ATEX, CE, PED



Switch box and Solenoids fitted to complete the perfect valve



Three way sanitary diverting ball valves

Valves Technical and Parts List

Part Name	Material
Body	CF8M
End Cap	CF8M
Ball	SUS316
Stem	SUS316
Stem Nut	SUS304
Thrust Washer	SUS304
Handle	SUS304
Seat	PTFE
Gland Ring	SUS304
Stem Packing	PTFE
Belleville washer	SUS304
Nut	SUS304
Specification	
Pressure range	1/2" to 2" 1000 PSI
Size	2 1/2" to 4" 800 PSI
Temperature range	minus 20° to + 180° (see graph)
Movement	90 deg turn
Cycle life	Up to 1,000,000 operations



Pneumatic sanitary butterfly valves, complete actuated hygienic essentials

All information is sourced from our manufacturer's data and is intended for guidance only - Valves Online can accept no liability for changes, omissions or errors.