



3 Way Pneumatic Actuated 316 St St Ball Valve

- 3 Way diverting L or T Configuration
- Reduced Bore with BSP Threads
- Option of Double Acting or Spring Closed/Open
- 1000 psi Rated, 180°C



Description

A stainless steel direct mount 3 way ball valve (L or T port configuration options) fitted to a high performance pneumatic actuator. Available in both double acting and spring return, enhancing functionality, performance and reliability. Screwed in BSP with the option of NPT threads, seats Virgin PTFE. ¼" to 1" 1000 psi and 1¼" to 2" 800 psi. Temperature 180°C



Beschreibung

Ein Edelstahl-Direktmontage-3-Wege-Kugelhahn (L- oder T-Port-Konfigurationsoptionen), der an einem Hochleistungs-Pneumatik-Stellantrieb montiert ist. Erhältlich sowohl im doppelwirkenden als auch im Federrücklauf, was die Funktionalität, Leistung und Zuverlässigkeit erhöht. Einschraubbare BSP mit der Option NPT Gewinde, Sitze Virgin PTFE. ¼ "bis 1" 1000 psi und 1¼ "bis 2" 800 psi. Temperatur 180°C



Descripción

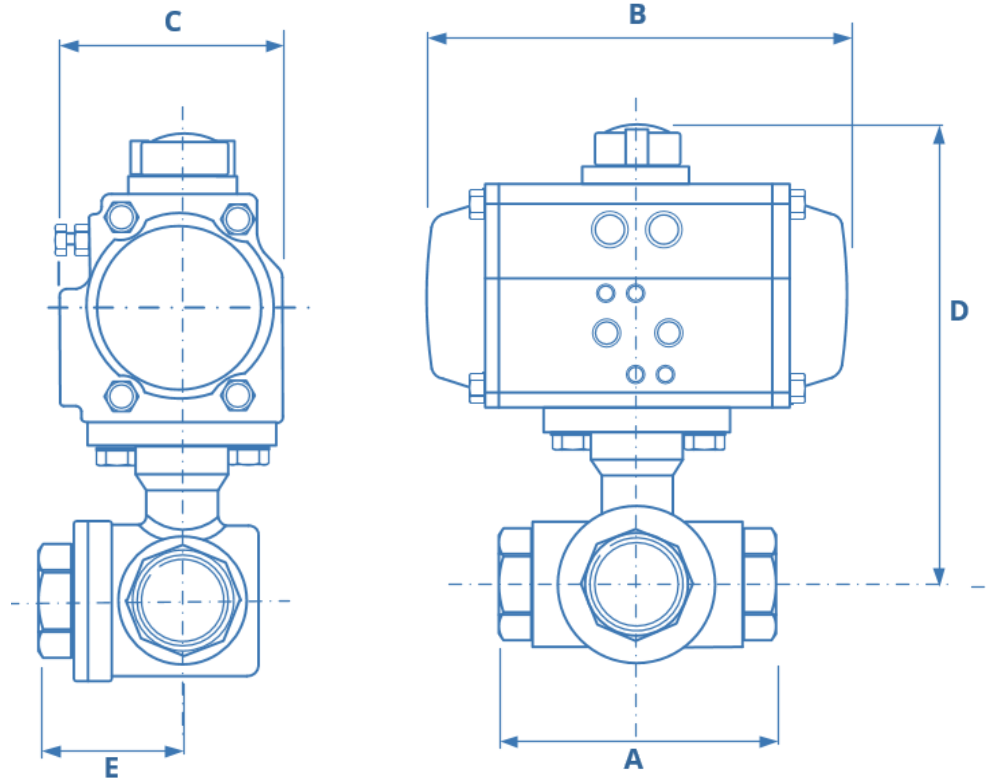
Una válvula de bola de 3 vías de montaje directo de acero inoxidable (opciones de configuración del puerto L o T) montada en un actuador neumático de alto rendimiento. Disponible tanto en doble efecto como en resorte, mejorando la funcionalidad, el rendimiento y la fiabilidad. Atornillado en BSP con la opción de roscas NPT, asientos Virgin PTFE. ¼ "a 1" 1000 psi y 1¼ "a 2" 800 psi. Temperatura 180°C



La Description

Robinet à boisseau sphérique à 3 voies à montage direct en acier inoxydable (options de configuration du port L ou T) monté sur un actionneur pneumatique haute performance. Disponible en double effet et en ressort, en améliorant les fonctionnalités, les performances et la fiabilité. Vissé dans BSP avec l'option des fils NPT, siège PTFE vierge. ¼ "à 1" 1000 psi et 1¼ "à 2" 800 psi. Température 180°C

The PA4118 is a Pneumatically actuated 3 way ball valve and is a combination of the HP pneumatic actuator and a Mars series 39 direct mount 3 way ball valve in stainless steel. The actuator offers Spring close/open or Double acting options and gives both reliability and economy. The ball valve offers reduced bore and screwed ends in BSP or with NPT options. The HP range of pneumatic actuators have a Namur interface fitted as standard where a switchbox, solenoid and/or positioner can easily be fitted. Typical Applications include automatic diversion of fluids or gases.

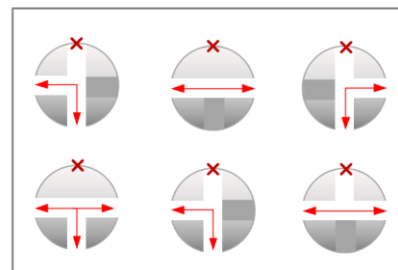


Includes 30% Safety Factor

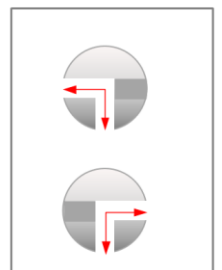
Dimensions

Valve	Spring Return	A	B	C	D	E
1/2"	HP50S	72	144	72	137	36
3/4"	HP63S	83	163	72	161	41.5
1"	HP75S	99	210	96	188	55
1 1/4"	HP88S	112	247	108	215	62.5
1 1/2"	HP88S	125	247	108	231	62.5
2"	HP88S	149	247	108	238	74.5

T PORT



L PORT



FLOW PATHS

Pressure / Temperature Ratings

Pressure	1/2" - 1" 1000 PSI / PN63 1 1/4" - 2" 800 PSI
Temperature	-20°C to 200°C

Dimensions

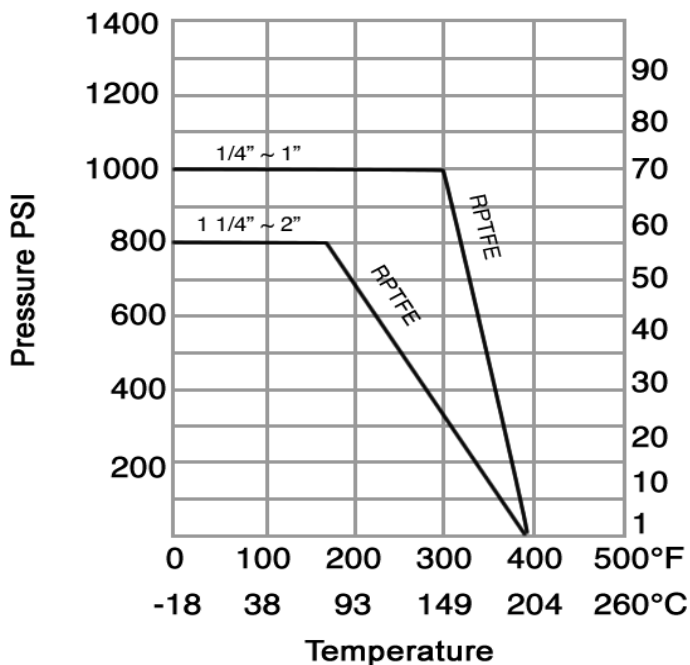
Valve	Double Acting	A	B	C	D	E
1/2"	HP50D	72	144	72	137	36
3/4"	HP50D	83	144	72	147	41.5
1"	HP63D	99	163	85	171	55
1 1/4"	HP66D	110	202	85	186	62.5
1 1/2"	HP66D	125	201	85	202	62.5
2"	HP75D	149	210	96	226	74.5

Valves Technical and Parts List

Part Name	Material
Body	ASTM A351Gr. CF8M
Cap	ASTM A351Gr. CF8M
Ball	SUS316
Stem	SUS316
Stem Nut	SUS304
Stem Washer	SUS304
Seat	PTFE
Gland Bush	SUS304
Stem Packing	Graphite

Specification

Medium Pressure	1/2"-1":1000 PSI, 1 1/4"-2": 800 PSI
Port Connection	Reduced Bore 1/2" to 2" (full bore options)
Medium Temperature	minus 20°C to + 200°C
	1,000,000 operations
Approvals	CE, PED, SIL, ATEX



Technical - Actuator

Body material	Hard anodised extruded aluminium alloy
End Caps	Die cast aluminium epoxy coated
Spring	High tensile steel
Indicator	Open/Closed
Pinion shaft	Alloy steel nickle plated
Pinion Guides	Self Lubricating Polypropylene + GF
Piston seals	NBR steel

Specification

Pressure range	10 Bar
Double acting	2.5 Bar - 8 Bar
Single acting - Open or Close	2.5 Bar - 8 Bar
Temperture range	minus 20°C - 80°C
Movement	90 Degree adjustable -5-+5 Degree
Lubrication	All moving parts are lubricated
Cycle Life	1,000,000 operations
Approvals	ATEX, CE, PED



Pneumatic Actuator can be fitted with a Namur pilot solenoid valve or open / close switchbox



Switch Box
(gives open and closed indication, both optical and remote electrical switching)



Namur Solenoid Valve
(Offers a local pilot air switching, dedicated to one actuator)