



## 3 Way Pneumatic Actuated 316 Full Bore Ball Valve

- 3 Way diverting L or T Configuration
- Full Bore Threaded or Weld Ends
- Option of Double Acting or Spring Closed/Open
- 1000 psi Rated, 200°C



### Description

Pneumatically operated multi port 3 way (L or T port) ball valve in sizes from 1/4" to 4". Connections are either screwed BSP/NPT or Socket/Butt weld ends. The actuator comes in either Double Acting or Spring Return. The Valve is full bore and has reinforced PTFE ball seats that are easily replaced for maintenance purposes. Pressures up to 1000 PSI and temperature Range -20° C to 200° C.



### Beschreibung

Pneumatisch betätigte Mehr Port 3 Weg (L oder T - Anschluss ) Kugelhahn in den Größen von 1/4 "bis 4". Der Anschluss erfolgt entweder verschraubt BSP / NPT oder Sockel / Schweißenden . Der Antrieb kommt entweder in DW oder Federrückstellung . das Ventil ist mit vollem Durchgang und hat PTFE Kugelsitze , die leicht zu Wartungszwecken ausgetauscht werden . Drücke bis zu 1000 PSI und Temperaturbereich -20 ° C bis 200 ° C verstärkt



### descripción

De accionamiento neumático de múltiples puertos de 3 vías (L o T puerto) válvula de bola en tamaños de 1/4 "a 4 " . Las conexiones se atornillan ya sea BSP soldadura / NPT o Socket / Butt termina . El actuador viene en doble efecto o de retorno por muelle . La válvula es de paso total y ha reforzado asientos de bola de PTFE que se reemplazan fácilmente para fines de mantenimiento . Presiones hasta 1000 PSI y de la temperatura de la gama de -20 ° C a 200 ° C.

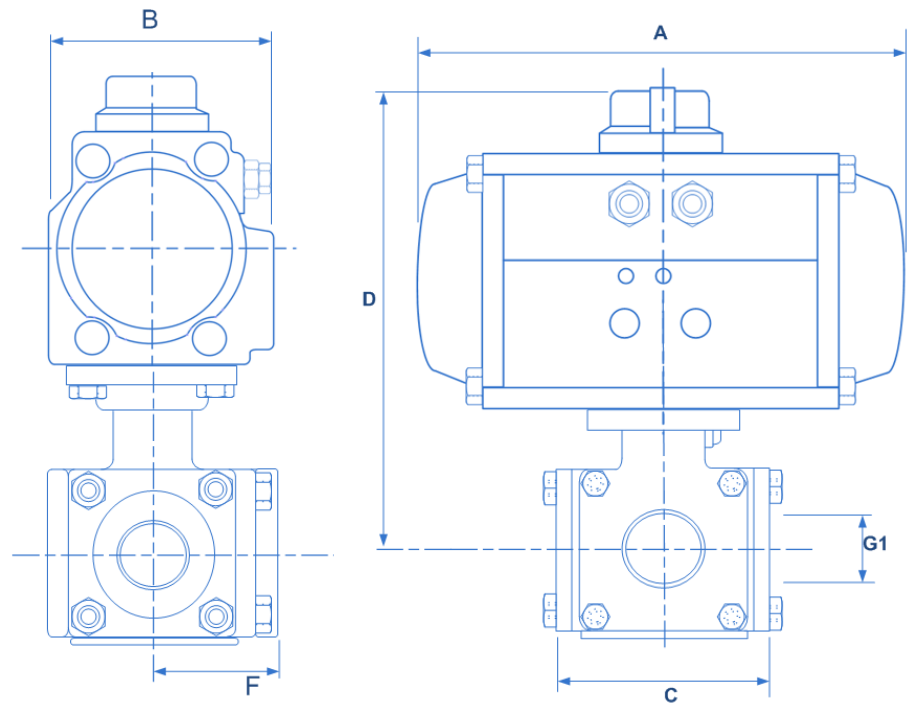


### description

Commande pneumatique multiples port 3 voies ( L ou le port T ) de la soupape de balle dans les tailles de 1/4 "à 4 " . Les connexions sont soit vissés soudure / NPT ou Socket / Butt BSP se termine . L'actionneur vient en soit double effet ou à ressort de rappel . la vanne est plein alésage et a renforcé PTFE sièges à billes qui sont facilement remplacés à des fins de maintenance . Pressions jusqu'à 1000 PSI et de la température -20 ° C à 200 ° C

### Description

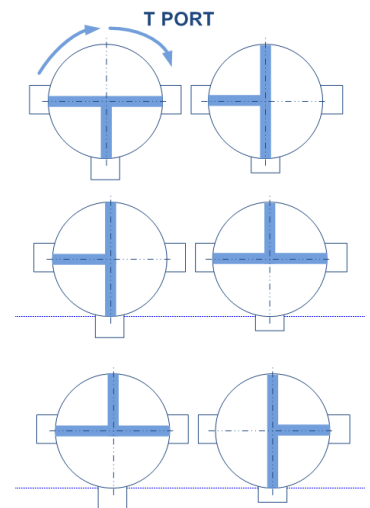
3 Way L or T Port, full bore ball valve. body material in CF8M/316, with 5 seat design reinforced PTFE and live loaded chevron PTFE gland packing. This direct mount valve is fitted to a double or single acting pneumatic actuator that offers superior performance and reliability. Pressure rating of the valve 1000 PSI and temperatures up to 200°C. Connections are Screwed BSP or NPT, Butt or Socket Weld. Available in either L port (Diverter Valve) or T port.



Includes 30% Safety Factor

**Dimensions**

Valve	Spring Return	A	B	C	D	F	G1
1/4" (8mm)	HP63S	163	85	150	151	58	11.6
3/8"(10mm)	HP63S	163	85	150	151	58	12.7
1/2" (15mm)	HP63S	163	85	150	151	60	15
3/4" (20mm)	HP66S	202	96	165	161	68	20
1" (25mm)	HP100S	268	123	180	212	80	25
1 1/4" (32mm)	HP100S	268	123	215	226	80	32
1 1/2" (40mm)	HP115S	316	141	263	261	91	38
2" (50mm)	HP125S	347	151	313	281	108	50
2 1/2" (65mm)	HP145S	414	172	344	319	121	65
3" (80mm)	HP160S	467	190	370	349	139	76
4" (100mm)	HP180S	494	206	510	405	165	100



**Dimensions**

Valve	Double Acting	A	B	C	D	F	G1
1/4" (8mm)	HP50D	144	72	150	137	58	11.6
3/8"(10mm)	HP50D	144	72	150	137	58	12.7
1/2" (15mm)	HP50D	144	72	150	137	60	15
3/4" (20mm)	HP63D	163	202	165	161	68	20
1" (25mm)	HP66D	202	202	180	171	80	25
1 1/4" (32mm)	HP66D	202	202	215	185	80	32
1 1/2" (40mm)	HP88D	247	210	263	231	91	38
2" (50mm)	HP88D	247	247	313	250	108	50
2 1/2" (65mm)	HP100D	268	247	344	268	120.6	65
3" (80mm)	HP115D	316	141	370	299	139.4	76
4" (100mm)	HP125D	347	151	510	343	165.17	100

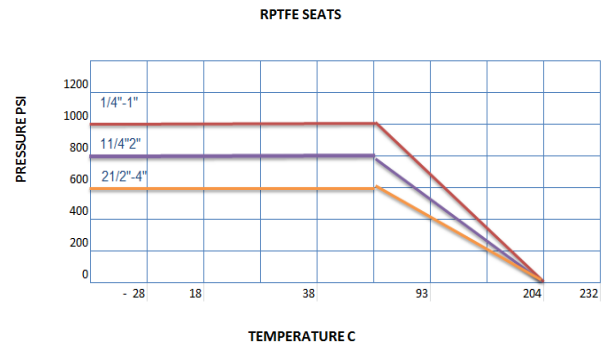
### Valves Technical and Parts List

Part Name	Material
Body	ASTM A351Gr. CF8M
Cap	ASTM A351Gr. CF8M
Ball	SUS316
Stem	SUS316
Stem Nut	SUS304
Stem Washer	SUS304
Seat	PTFE
Gland Bush	SUS304
Stem Packing	Graphite

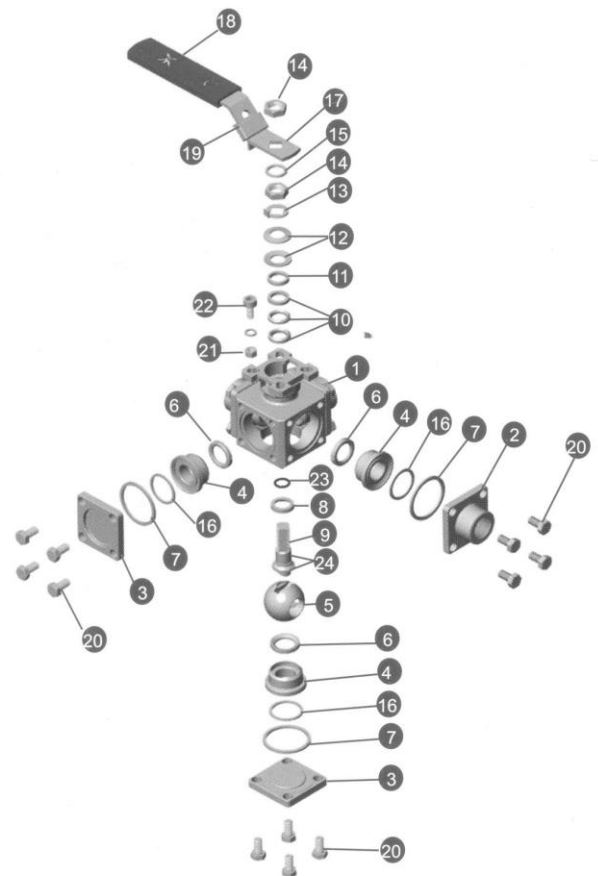
Specification	
Medium Pressure	1/2"-1":1000 PSI, 11/4"-2": 800 PSI
Port Connection	Reduced Bore 1/2" to 2" (full bore options)
Medium Temperature	minus 20°C to + 200°C
	1,000,000 operations
Approvals	CE, PED, SIL, ATEX

PRESSURE / TEMPERATURE CHART



### Materials

No.	Part Name	Material	Qty
1	Body	ASTM A351 Gr. CF8M	1
2	End Cap A	ASTM A351 Gr. CF8M	3
3	End Cap B	ASTM A351 Gr. CF8M	2
4	Stem Retainer	ASTM A351 Gr. CF8M	5
5	Ball	SUS316	1
6	Seat	PTFE/RTFE	5
7	Joint Gasket	PTFE	5
8	Stem Seal	PTFE	1
9	Stem	SUS316	1
10	Gland Packing	25% Glass Fibre Filled + PTFE	SET
11	Gland Bush	SUS304	1
12	Belleville Washer	SUS301	2
13	Stop Washer	SUS304	1
14	Stem Nut	SUS304	2
15	Stem Washer	SUS304	1
16	Retainer Seal	PTFE	5
17	Handle	SUS304	1
18	Handle Sleeve	Vinyl	1
19	Locking Device	SUS304	1
20	Bolt Nut	SUS304	20
21	Pin Nut	SUS304	1
22	Stop Pin	SUS304	1
23	O-Ring	VITON	1
24	Antistatic Device	SUS304	#



### Technical - Actuator

Body material	Hard anodised extruded aluminium alloy
End Caps	Die cast aluminium epoxy coated
Spring	High tensile steel
Indicator	Open/Closed
Pinion shaft	Alloy steel nickle plated
Pinion Guides	Self Lubricating Polypropylene + GF
Piston seals	NBR steel

### Specification

Pressure range	10 Bar
Double acting	2.5 Bar - 8 Bar
Single acting - Open or Close	2.5 Bar - 8 Bar
Temperture range	minus 20°C - 80°C
Movement	90 Degree adjustable -5-+5 Degree
Lubrication	All moving parts are lubricated
Cycle Life	1,000,000 operations
Approvals	ATEX, CE, PED



Pneumatic Actuator can be fitted with a Namur pilot solenoid valve or open / close switchbox



Switch Box  
(gives open and closed indication, both optical and remote electrical switching)



Namur Solenoid Valve  
(Offers a local pilot air switching, dedicated to one actuator)