



Description

A combination of a HP pneumatic spring return or double acting actuator fitted to our Mars series 77, 3 piece stainless steel full bore ball valve. This combination offers both reliability with repeatability. The HP range of pneumatic actuators are manufactured from aluminium and have a hard anodised finish. Position indicator, end of stroke adjustment ($\pm 5^\circ$) and Namur interface are fitted as standard.

The Series 77 ball valve is in stainless steel, full bore with RPTFE seats. They are fully maintainable, having options for screwed BSP parallel, taper or NPT ends, Butt or Socket weld ends.

The valve and actuator fit directly onto each other (valve has an ISO mounting pad) so no mounting kits are required, thus making the package more compact and cost effective.

Sizes 1/4" to 4"

Mars 77 Pneumatic Actuated Stainless Steel Ball Valve.

- Full Bore with Various End Connections
- Approved to ATEX
- Double Acting or Spring Closed/Open
- 1000 PSI Rated, PN63, 180°C
- Stainless Steel Body and Ball



Description – Mars 77

A stainless steel three piece full bore ball valve, fully maintainable with RPTFE seats. End connections in screwed BSP or NPT, socket and butt weld (SCH40). The valve is fitted onto our HP Pneumatic actuator in either spring return or double acting versions. Actuator pilot pressure Min 5.5 Bar. Valve pressures up to 1000 PSI. Temperature Range -20° C to 180° C.



Beschreibung – Mars 77

Ein Edelstahl- drei Stück voller Durchgang - Kugelhahn , voll wartbar mit RPTFE Sitze. End - Verbindungen in geschraubt BSP oder NPT , Sockel und Schweiß (SCH40) . Das Ventil wird auf unserer HP Pneumatik-Antrieb entweder Federrück oder doppelt wirkende Versionen ausgestattet. Aktor Steuerdruck Min 5,5 Bar. Ventil Drücke bis zu 1000 PSI . Temperaturbereich -20°C bis 180 °C Aktor Steuerdruck Min 5,5 Bar. Ventil Drücke bis zu 1000 PSI . Temperaturbereich -20°C bis 180 °C.



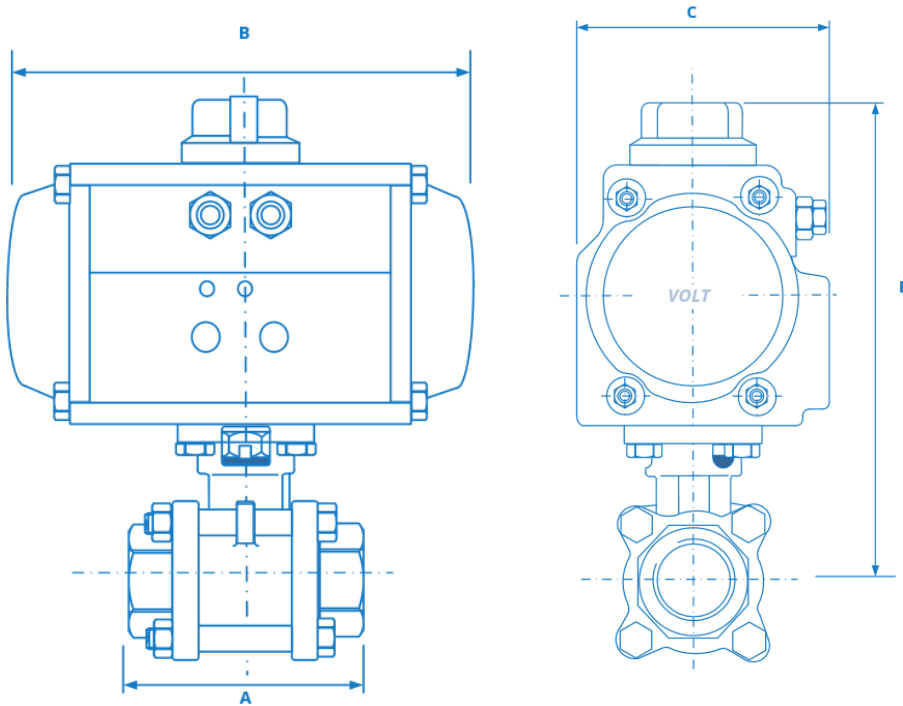
Descripción – Mars 77

A tres piezas de la válvula de bola con interior de acero inoxidable , totalmente mantenible con asientos RPTFE . Las conexiones de extremo en rosca BSP o NPT , enchufe y soldadura a tope (SCH40) . La válvula se monta sobre nuestro actuador neumático HP en cualquier muelle de retorno o versiones de doble efecto . Presión de mando del actuador Min 5,5 bar. Presiones de la válvula hasta 1000 PSI . Rango de temperatura de -20°C a 180°C.



Description – Mars 77

Un acier inoxydable trois pièces soupape pleine balle alésage , entièrement maintenable avec des sièges de RPTFE . Les raccordements d'extrémité en BSP vissé ou TNP , la douille et soudure bout à bout (SCH40) . La vanne est montée sur notre actionneur pneumatique HP soit à ressort de rappel ou des versions à double effet . Pression actionneur pilote Min 5,5 bar. Pressions de Valve jusqu'à 1000 PSI . Plage de température de -20°C à 180°C.



Double Acting

Spring Return

Dimensions

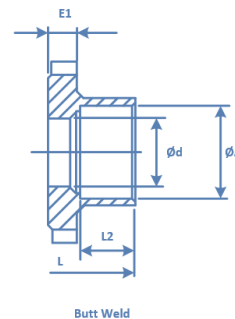
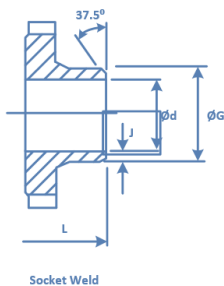
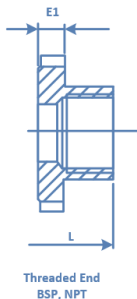
VALVE	Double Acting	A	B	C	D
1/4"	HP50D	63.5	144	72	135
3/8"	HP50D	63.5	144	72	135
1/2"	HP50D	63.5	144	72	135
3/4"	HP50D	76.2	144	72	142
1"	HP50D	86	144	72	151
1 1/4"	HP63D	102.8	163	85	170
1 1/2"	HP63D	119	163	85	178
2"	HP66D	131.4	202	85	185
2 1/2"	HP75D	164	247	108	236
3"	HP88D	182.5	247	108	245
4"	HP100D	234.6	316	141	306

Dimensions

VALVE	Spring Return	A	B	C	D
1/4"	HP50S	63.5	144	72	135
3/8"	HP50S	63.5	144	72	135
1/2"	HP50S	63.5	144	72	135
3/4"	HP50S	76.2	144	72	142
1"	HP63S	86	163	85	165
1 1/4"	HP66S	102.8	163	85	170
1 1/2"	HP75S	119	202	85	178
2"	HP88S	131.4	247	108	214
2 1/2"	HP100S	164	268	123	248
3"	HP115S	182.5	247	141	275
4"	HP115S	234.6	316	151	319

Dimensions

VALVE	L	L2
1/4"	63.7	70
3/8"	63.7	70
1/2"	65.7	75
3/4"	76.2	90
1"	86.2	100
1 1/4"	102.8	110
1 1/2"	119.4	125
2"	131.4	150
2 1/2"	164	190
3"	182.7	220
4"	235.6	270



Connection Options
BSPP
BSPT
NPT
Socket Weld
Butt Weld

Technical - Actuator

Body material	Hard anodised extruded aluminium alloy
End Caps	Die cast aluminium epoxy coated
Spring	High tensile steel
Indicator	Open/Closed
Pinion shaft	Alloy steel nickle plated
Pinion Guides	Self Lubricating Polypropylene + GF
Piston seals	NBR steel

Specification

Pressure range	10 Bar
Double acting	2.5 Bar - 8 Bar
Single acting - Open or Close	2.5 Bar - 8 Bar
Temperture range	minus 20°C - 80°C
Movement	90 Degree adjustable -5-+5 Degree
Lubrication	All moving parts are lubricated
Cycle Life	1,000,000 operations
Approvals	ATEX, CE, PED

Valves Technical and Parts List

Part Name	Material
Body	CF8M
End Cap	CF8M
Ball	SUS316
Stem	SUS316
Stem Nut	SUS304
Thrust Washer	SUS304
Handle	SUS304
Seat	Reinforced PTFE
Gland Ring	SUS304
Stem Packing	PTFE
Belleville washer	SUS304
Nut	SUS304

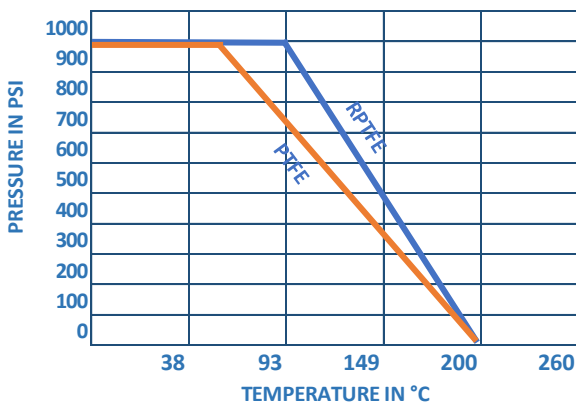
Specification

Pressure range	1/4" to 4" 1000 PSI
Size	1/4" to 4"
Temperature range	minus 20° to + 200° (see graph)
Movement	90 deg turn
Cycle life	1,000,000 operations

Approvals

CE Marked, SIL Certified
ATEX 94/9/EC
PED/97/23/EC

PRESSURE v TEMPERATURE CHART



Three piece pneumatic actuated ball valve used in industrial systems such as Water, Oil, Gas and slightly corrosive media up to maximum 68 bar. spring or direct acting functions.



Fitted with Pilot Solenoid



Fitted with Switch Box



Fitted with both Pilot Solenoid and Switch Box