


SKU: BV5116

-  MARS Series 90D Flanged Ball Valve – PN16
-  MARS Serie 90D Flansch-Kugelhahn – PN16
-  Válvula de bola con bridas MARS Serie 90D – PN16
-  MARS Série 90D bride Ball Valve – PN16

**Valves**<sup>™</sup>  
O N L I N E

- 1/2" - 6" Stainless Steel Flanged Ball Valve
- 1/2" - 6" Edelstahl Flansch-Kugelhahn
- 1/2" - 6" Válvula de bola con bridas de acero inoxidable
- 1/2" - 6" Acier inoxydable bride Ball Valve

**Mars Series 90D  
CF8M – PN16**

**FIRE SAFE AND  
ANTI – STATIC**  
API 607 4<sup>th</sup> Edition  
Certified



- Fire-safe and Antistatic
- Full Bore
- ISO Top for Easy Actuation
- Supplied with Lockable Lever
- RTFE seats and Graphite seals

MARS Series 90D is a high performance, flanged ball valve with a PN16 flange. The valve is a split 2 piece body that is Fire Safe Certified to API 607 4<sup>th</sup> Edition with Antistatic spring loaded stem to ball and stem to body anti-static device fitted as standard.

The valve has an ISO mounting pad with a square stem top for direct mounting for actuation. A Lockable lever is supplied as standard for manual operation. The seats are RTFE with Graphite seals and can be replaced and maintained.

Face to face ANSI B16.10, EN 558-1, GR. 1/GR.27 (DIN 3202-F1, F4/F5) NACE on request.



#### Description

Direct mount, flanged manual ball valve full port. Offering high performance, Fire safe seals and antistatic feature.

½" to 6" PN16

Temperature Range -20°C to 180°C.



#### Beschreibung

Direktmontage, Flansch manuellen Kugelhahn voller Durchgang. Mit hoher Leistung, Feuer sichere Dichtungen und antistatische Eigenschaft.

½" bis 6" PN16

Temperaturbereich -20 ° C bis 180 ° C.



#### Descripción

Montaje directo, con bridas de válvula de bola manual de paso completo. Ofreciendo alto rendimiento, los sellos de seguridad contra incendios y la función antiestática.

½" a 6" PN16

Rango de temperatura de -20°C a 180°C.







#### Description

Montage direct, bridé vanne manuelle de la balle complète des ports. Offrant des performances élevées, feu joints sûrs et fonction antistatique.

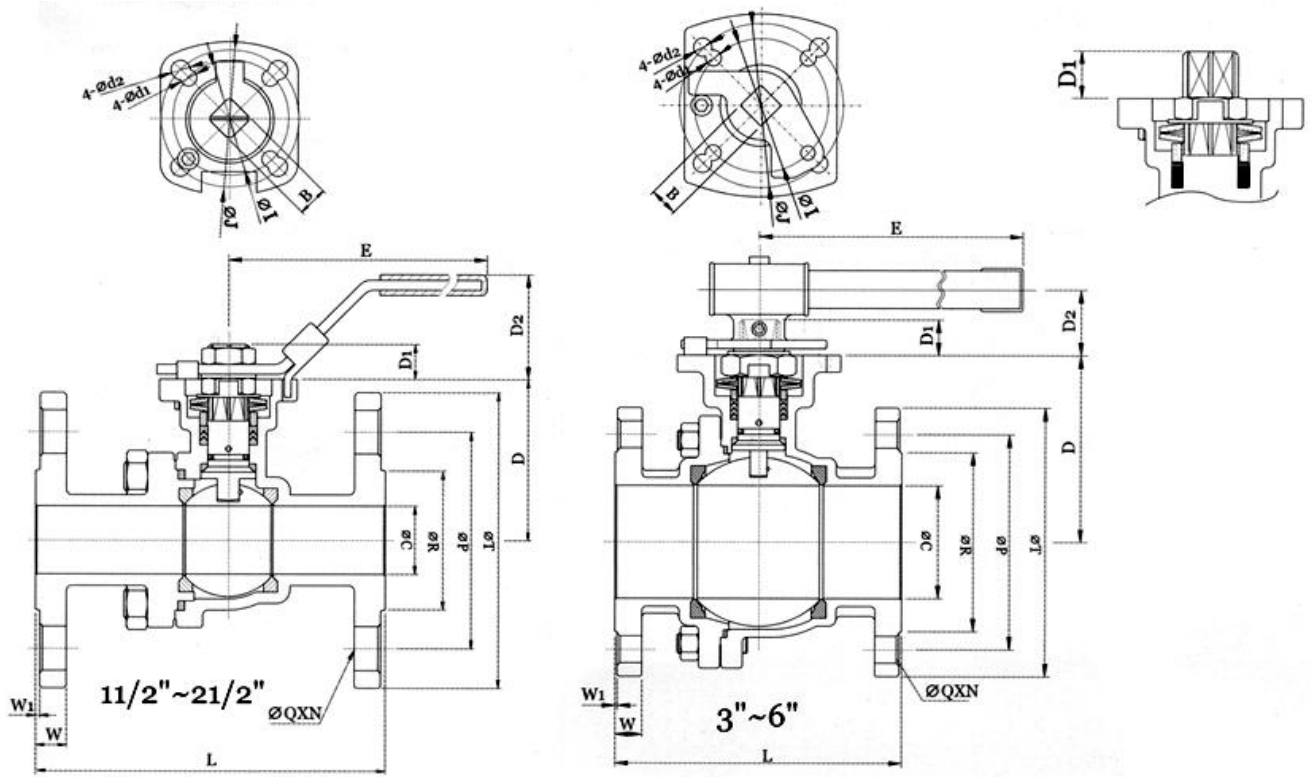
½" à 6" PN16

Gamme Température -20°C à 180°C.

**Suitable for both Electric  
and Pneumatic Actuation**

-  MARS Series 90D Flanged Ball Valve
-  MARS Serie 90D Flanschkuigelhahn
-  Válvula de bola con bridas MARS Serie 90D
-  MARS Série 90D bride Ball Valve


## MARS 90D Flanged PN16 Ball Valve



PN 16

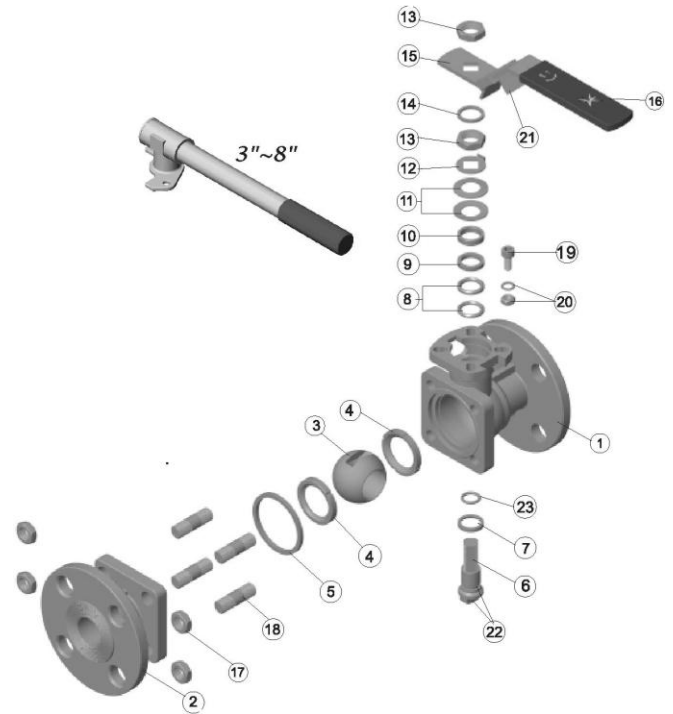
90D - 40 F4 / F5 Dimensions PN16

Size	C	B	E	D	D1	D2	I	J	L (F4)	N	P	Q	R	T	W	W1	d1	d2	ISO 5211	Weight
1/2"	15	11	165	48.7	9.9	36	42	50	115	4	65	14	45	95	16	2	5	7	F04/F05	2.35
3/4"	20	11	165	53.7	9.9	36	42	50	120	4	75	14	58	105	18	2	5	7	F04/F05	3.05
1"	25	11	165	58.8	10.3	36	42	50	125	4	85	14	58	115	18	2	6	7	F04/F05	3.86
1 1/4"	32	14	215	72.6	12.9	49	50	70	130	4	100	18	78	140	18	2	7.5	9	F05/F07	5.78
1 1/2"	38	17	262	89.1	19	58	70	102	140	4	110	18	88	150	18	3	10	12	F07/F10	7.88
2"	50	17	262	96.6	19	58	70	102	150	4	125	18	102	165	20	3	10	12	F07/F10	10.66
2 1/2"	65	17	262	116	19	58	70	102	170	4	145	18	122	185	18	3	10	12	F07/F10	14.67
3"	80	22	365	132.5	23	46.2	102	125	180	8	160	18	138	200	20	3	12	14	F10/F12	19.58
4"	100	22	365	157	23	46.2	102	125	190	8	180	18	158	220	20	3	12	14	F10/F12	27.25
5"	125	27	750	192.7	28.5	66.5	125	140	400	8	210	18	188	250	22	3	14	14	F12/F14	53.4
6"	150	27	750	210.2	28.5	66.5	125	140	400	8	240	22	212	285	22	3	14	14	F12/F14	69.38

-  MARS Series 90D Flanged Ball Valve
-  MARS Serie 90D Flansch-Kugelhahn
-  Válvula de bola con bridas MARS Serie 90D
-  MARS Série 90D bride Ball Valve

## MARS 90D Flanged PN16 Ball Valve

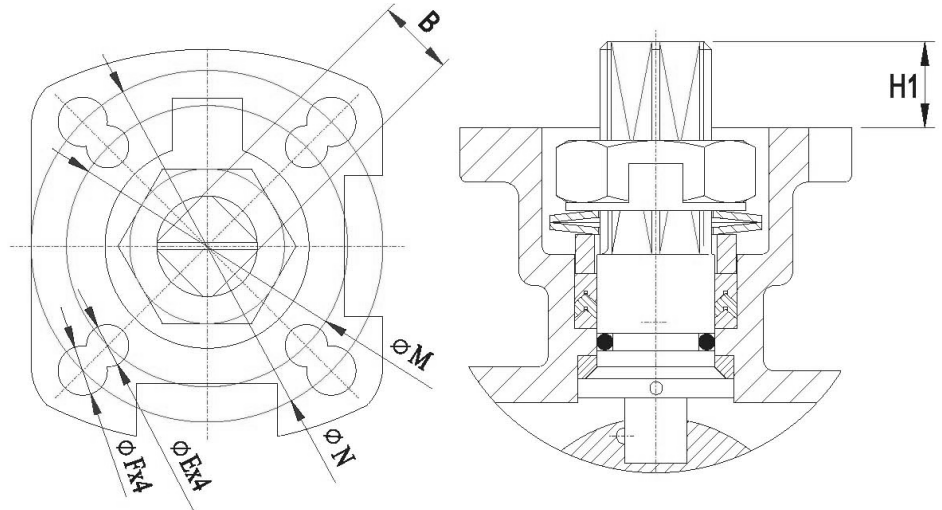
Materials			
No	Part Name	Material	Qty
1	Body	CF8M / WCB	1
2	Cap	CF8M / WCB	1
3	Ball	SUS316	1
4	Seat	RPTFE	1
5	Joint Gasket	PTFE	2
6	O-Ring	Viton	2
7	Stem	SUS304	1
8	Stem Seal	RPTFE	2
9	O-Ring	SUS304	1
10	Gland Packing	PTFE	§
11	Gland Packing	RPTFE	1
12	Gland Bush	SUS304	1
13	Belleville washer	PTFE	1
14	Stop Washer	SUS304	*
15	Stem Nut	SUS304	1
16	Stem Washer	Vinyl	1
17	Handle	25% RTFE	1
18	Stop Pin	SUS304	1
19	Locking Device	SUS304	1
20	Handle Sleeve	SUS304	1
21	Pin Nut		
22	Anti-static Device		



Standard Specification			
<b>Construction</b>	Split Body Flanged Ball Valves, Full Port Investment Cast: 1/2" to 6" Sand Cast 5" to 10"	<b>Compliance Standards</b>	ANSI B16.34, ANSI B16.5, ANSI B16.10, API 6D, API 509, API 607, BS5351, BS6755, ISO5211, DIN3337, DIN 3202, DIN 2501, MSS SP25, MSS SP55
<b>Size Range</b>	1/2" - 6"	<b>Material Certificate</b>	EN 10204 - 3.1
<b>Pressure rating</b>	6098 - 90D Carbon Steel ANSI 150 6097 - 90D Stainless Steel ANSI 150 6099 - 90D Stainless Steel ANSI 300 6087 - 90D Stainless Steel PN16 6085 - 90D Stainless Steel PN40	<b>Quality System</b>	ISO 9001
<b>Valve Material</b>	Standard: ASTM A351 Gr. CF8M / DIN 1.4408 Options: WCB, 316L S/S, Titanium, Duplex, Hastelloy C, Alloy 20	<b>Options</b>	NCE MR - 0175 Stand Valve is non-fire safe design, fire safe valve is optional
<b>Seat Material</b>	Standard: R-TFE / PTFE Options: TFM 1600, PEEK, Carbon Filled PTFE, DERLIN, UHMWPE, 50/50 S/S filled PTFE, Metal Seats... and others	<b>Inspection and Test</b>	API 598, BS6755 Part 1

-  MARS Series 90D Flanged Ball Valve
-  MARS Serie 90D Flansch-Kugelhahn
-  Válvula de bola con bridas MARS Serie 90D
-  MARS Série 90D bride Ball Valve

## MARS 90D Flanged PN16 Ball Valve



### Dimensions

Size	B	H1	*H1	ØM	ØN	ØE	#E	ØF	ISO5211
1/2"	11	9.9	9.9	42	50	6.5	6	7	F04/F05
3/4"	11	9.9	10.3	42	50	6.5	6	7	F04/F05
1"	11	10.3	10.3	42	50	6.5	6	7	F04/F05
1 1/4"	14	12.9	12.9	50	70	7.5	7.5	9	F05/F07
1 1/2"	17	19	19	70	102	10	10	12	F07/F10
2"	17	19	19	70	102	10	10	12	F07/F10
2 1/2"	17	19	19	70	102	10	10	12	F07/F10
3"	22	23	23	102	125	12	12	14	F10/F12
4"	22	23	23	102	125	12	12	14	F10/F12
5"	27	28.5	-	125	140	14	14	18	F12/F14
6"	27	28.5	28.5	125	140	14	14	18	F12/F14
8"	36	40	-	140	165	18	-	22	F14/F16
10"	36	40	-	140	165	18	-	22	F14/F16

### TORQUE FIGURES

Valve Size		Break Away Torque (R-PTFE Seats)		C.v.
Size	DN	In/LB	Nm	G.P.M
1/2"	15	92	10	28
3/4"	20	127	14	50
1"	25	150	17	95
1 1/4"	32	207	23	132
1 1/2"	40	357	40	260
2"	50	392	44	485
2 1/2"	65	518	59	800
3"	80	852	96	1250
4"	100	1302	147	2250
5"	125	2073	234	3620
6"	100	2188	247	5400

