


SKU: BV5127

-  MARS Series 90D Flanged Ball Valve – ANSI 300
-  MARS Serie 90D Flansch-Kugelhahn – ANSI 300
-  Válvula de bola con bridas MARS Serie 90D – ANSI 300
-  MARS Série 90D bride Ball Valve – ANSI 300

Valves[™]
O N L I N E

- 1/2" - 6" Stainless Steel Flanged Ball Valve
- 1/2" - 6" Edelstahl Flansch-Kugelhahn
- 1/2" - 6" Válvula de bola con bridas de acero inoxidable
- 1/2" - 6" Acier inoxydable bride Ball Valve

**Mars Series 90D
CF8M - ANSI 300**

**FIRE SAFE AND
ANTI – STATIC**
API 607 4th Edition
Certified



- Fire-safe and Antistatic
- Full Bore
- ISO Top for Easy Actuation
- Supplied with Lockable Lever
- RTFE seats and Graphite seals

MARS Series 90D is a high performance, flanged ball valve with an ANSI 300, flange. The valve is a split 2 piece body that is Fire Safe Certified to API 607 4th Edition with Antistatic spring loaded stem to ball and stem to body anti-static device fitted as standard.

The valve has an ISO mounting pad with a square stem top for direct mounting for actuation. A Lockable lever is supplied as standard for manual operation. The seats are RTFE with Graphite seals and can be replaced and maintained.

Face to face ANSI B16.10, EN 558-1, GR. 1/GR.27 (DIN 3202-F1, F4/F5) NACE on request.



Description

Direct mount, flanged manual ball valve full port. Offering high performance, Fire safe seals and antistatic feature.

½" to 6" ANSI 300

Temperature Range -20°C to 180°C.



Beschreibung

Direktmontage, Flansch manuellen Kugelhahn voller Durchgang. Mit hoher Leistung, Feuer sichere Dichtungen und antistatische Eigenschaft.

½ "bis 6" ANSI 300

Temperaturbereich -20 ° C bis 180 ° C .



Descripción

Montaje directo, con bridas de válvula de bola manual de paso completo. Ofreciendo alto rendimiento, los sellos de seguridad contra incendios y la función antiestática.

½ "a 6 " ANSI 300

Rango de temperatura de -20°C a 180°C .



Description

Montage direct, bridé vanne manuelle de la balle complète des ports. Offrant des performances élevées, feu joints sûrs et fonction antistatique.

½ " à 6 " ANSI 300

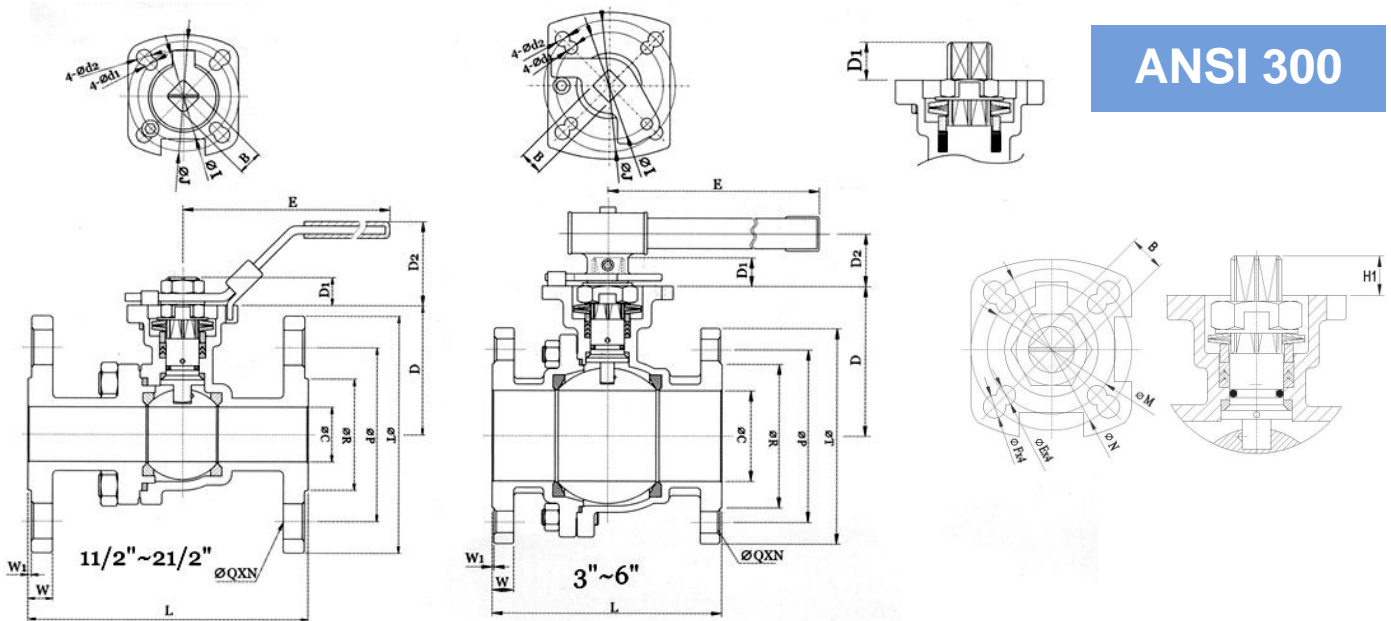
Gamme Température -20°C à 180°C .

**Suitable for both Electric
and Pneumatic Actuation**

- MARS Series 90D Flanged Ball Valve
- MARS Serie 90D Flanschkuigelhahn
- Válvula de bola con bridas MARS Serie 90D
- MARS Série 90D bride Ball Valve

MARS 90D Flanged ANSI 300 Ball Valve

ANSI 300

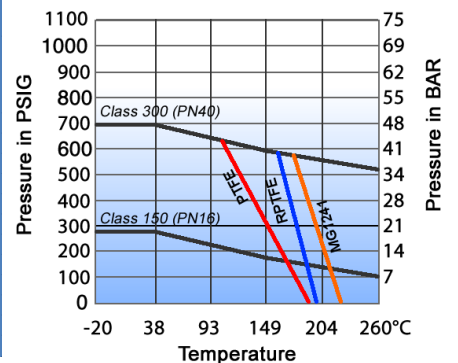



90D-20 Dimensions ANSI Class 300

Size	ØC	B	E	D	D1	D2	ØI	ØJ	L	N	ØP	ØQ	ØR	ØT	W	W1	Ød1	Ød2	Wt (kg)	ISO5211
1/2"	15	11	165	48.7	9.9	36	42	50	139.7	4	66.5	16	35.1	95.3	14.3	1.6	6.5	7	2.3	F04/F05
3/4"	20	11	165	63.5	10.3	36	42	50	152.4	4	82.6	19	42.9	117.3	15.8	1.6	6.5	7	3.9	F04/F05
1"	25	11	165	63.5	10.3	36	42	50	165.1	4	88.9	19	50.8	124	17.6	1.6	6.5	7	5	F04/F05
1 1/2"	38	17/19	262	89.1	19	58	70	102	190.5	4	114.3	22.2	73.2	155.4	20.6	1.6	10	12	10.05	F07/F10
2"	50	17/19	262	96.6	19	58	70	102	215.9	8	127	19	91.9	165.1	22.4	1.6	10	12	12.56	F07/F10
2 1/2"	65	17/19	262	116	19	58	70	102	241.3	8	149.4	22.2	104.6	190.5	25.4	1.6	10	12	19.72	F07/F10
3"	80	22	365	132.5	23	46.2	102	125	282.4	8	168.2	22.2	127	209.6	28.5	1.6	12	14	27.5	F10/F12
4"	100	22	365	157	23	46.2	102	125	304.8	8	200.2	22.2	157.2	254	31.8	1.6	12	14	44.2	F10/F12
6"	150	27	750	210.2	28.5	66.5	125	140	403.2	12	269.7	22.2	215.9	317.5	36.6	1.6	14	18	99.4	F12/F14

Dimensions									
Size	B	H1	*H1	ØM	ØN	ØE	#E	ØF	ISO5211
1/2"	11	9.9	9.9	42	50	6.5	6	7	F04/F05
3/4"	11	9.9	10.3	42	50	6.5	6	7	F04/F05
1"	11	10.3	10.3	42	50	6.5	6	7	F04/F05
1 1/4"	14	12.9	12.9	50	70	7.5	7.5	9	F05/F07
1 1/2"	17	19	19	70	102	10	10	12	F07/F10
2"	17	19	19	70	102	10	10	12	F07/F10
2 1/2"	17	19	19	70	102	10	10	12	F07/F10
3"	22	23	23	102	125	12	12	14	F10/F12
4"	22	23	23	102	125	12	12	14	F10/F12
5"	27	28.5	-	125	140	14	14	18	F12/F14
6"	27	28.5	28.5	125	140	14	14	18	F12/F14
8"	36	40	-	140	165	18	-	22	F14/F16
10"	36	40	-	140	165	18	-	22	F14/F16

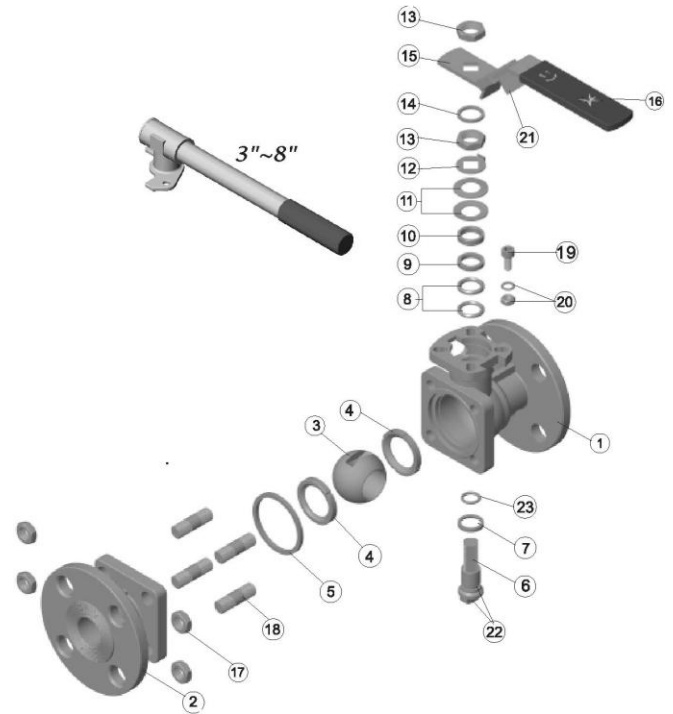
TORQUE FIGURES				
Valve Size		Break Away Torque (R-PTFE Seats)		C.v.
Size	DN	In/LB	Nm	G.P.M
1/2"	15	92	10	28
3/4"	20	127	14	50
1"	25	150	17	95
1 1/4"	32	207	23	132
1 1/2"	40	357	40	260
2"	50	392	44	485
2 1/2"	65	518	59	800
3"	80	852	96	1250
4"	100	1302	147	2250
5"	125	2073	234	3620
6"	100	2188	247	5400



-  MARS Series 90D Flanged Ball Valve
-  MARS Serie 90D Flansch-Kugelhahn
-  Válvula de bola con bridas MARS Serie 90D
-  MARS Série 90D bride Ball Valve

MARS 90D Flanged ANSI 300 Ball Valve

Materials			
No	Part Name	Material	Qty
1	Body	CF8M / WCB	1
2	Cap	CF8M / WCB	1
3	Ball	SUS316	1
4	Seat	RPTFE	1
5	Joint Gasket	PTFE	2
6	O-Ring	Viton	2
7	Stem	SUS304	1
8	Stem Seal	RPTFE	2
9	O-Ring	SUS304	1
10	Gland Packing	PTFE	5
11	Gland Packing	RPTFE	1
12	Gland Bush	SUS304	1
13	Belleville washer	PTFE	1
14	Stop Washer	SUS304	*
15	Stem Nut	SUS304	1
16	Stem Washer	Vinyl	1
17	Handle	25% RTFE	1
18	Stop Pin	SUS304	1
19	Locking Device	SUS304	1
20	Handle Sleeve	SUS304	1
21	Pin Nut		
22	Anti-static Device		



Standard Specification			
Construction	Split Body Flanged Ball Valves, Full Port Investment Cast: 1/2" to 6" Sand Cast 5" to 10"	Compliance Standards	ANSI B16.34, ANSI B16.5, ANSI B16.10, API 6D, API 509, API 607, BS5351, BS6755, ISO5211, DIN3337, DIN 3202, DIN 2501, MSS SP25, MSS SP55
Size Range	1/2" - 6"	Material Certificate	EN 10204 - 3.1
Pressure rating	6098 - 90D Carbon Steel ANSI 150 6097 - 90D Stainless Steel ANSI 150 6099 - 90D Stainless Steel ANSI 300 6087 - 90D Stainless Steel PN16 6085 - 90D Stainless Steel PN40	Quality System	ISO 9001
Valve Material	Standard: ASTM A351 Gr. CF8M / DIN 1.4408 Options: WCB, 316L S/S, Titanium, Duplex, Hastelloy C, Alloy 20	Options	NCE MR - 0175 Stand Valve is non-fire safe design, fire safe valve is optional
Seat Material	Standard: R-TFE / PTFE Options: TFM 1600, PEEK, Carbon Filled PTFE, DERLIN, UHMWPE, 50/50 S/S filled PTFE, Metal Seats... and others	Inspection and Test	API 598, BS6755 Part 1