

SKU: BV5152

-  MARS Series 90D Flanged Ball Valve
-  MARS Serie 90D Flansch-Kugelhahn
-  Válvula de bola con bridas MARS Serie 90D
-  MARS Série 90D bride Ball Valve

**Valves**<sup>™</sup>  
O N L I N E

- 1/2" - 6" Carbon Steel Flanged Ball Valve
- 1/2" - 6" C-Stahl Flansch-Kugelhahn
- 1/2" - 6" Válvula de bola con bridas de acero al carbono
- 1/2" - 6" Brides en acier au carbone Ball Valve

**Mars Series 90D  
ANSI 150**

**FIRE SAFE AND  
ANTI - STATIC  
API 607 4<sup>th</sup> Edition  
Certified**



- Fire-safe and Antistatic
- Full Bore
- ISO Top for Easy Actuation
- Supplied with Lockable Lever
- RTFE seats and Graphite seals

MARS Series 90D is a high performance, flanged ball valve with a choice of ANSI 150 flanges. The valve is a split 2 piece body that is **Fire Safe** Certified to API 607 4<sup>th</sup> Edition with Antistatic spring loaded stem to ball and stem to body **anti-static** device fitted as standard.

The valve has an ISO mounting pad with a square stem top for direct mounting for actuation. A Lockable lever is supplied as standard for manual operation. The seats are RTFE with Graphite seals and can be replaced and maintained.

Face to face ANSI B16.10, EN 558-1, GR. 1/GR.27 (DIN 3202-F1, F4/F5) NACE on request.



#### Description

Direct mount, flanged manual ball valve full port. Offering high performance, Fire safe seals and antistatic feature.

1/2" to 6" ANSI 150

Temperature Range -20°C to 180°C.



#### Beschreibung

Direktmontage, Flansch manuellen Kugelhahn voller Durchgang. Mit hoher Leistung, Feuer sichere Dichtungen und antistatische Eigenschaft.

1/2" bis 6" ANSI 150

Temperaturbereich -20 ° C bis 180 ° C .



#### Descripción

Montaje directo, con bridas de válvula de bola manual de paso completo. Ofreciendo alto rendimiento, los sellos de seguridad contra incendios y la función antiestática.

1/2" a 6" ANSI 150

Rango de temperatura de -20°C a 180°C .



#### Description

Montage direct, bridé vanne manuelle de la balle complète des ports. Offrant des performances élevées, feu joints sûrs et fonction antistatique.

1/2" à 6" ANSI 150

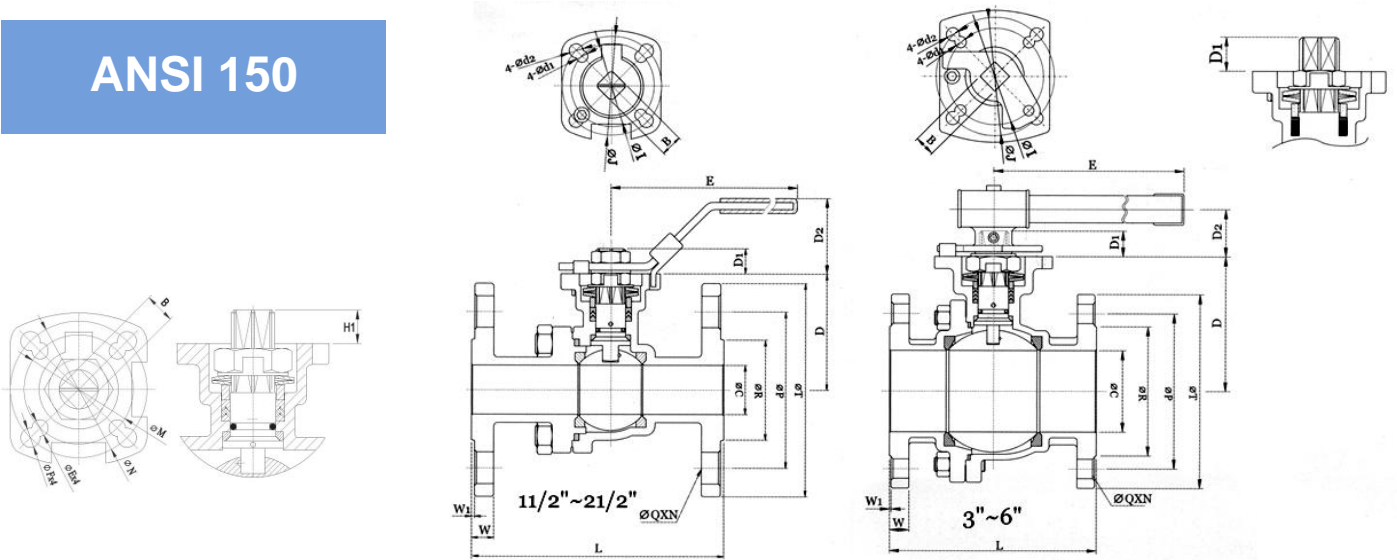
Gamme Température -20°C à 180°C .

**Suitable for both Electric  
and Pneumatic Actuation**

- MARS Series 90D Flanged Ball Valve
- MARS Serie 90D Flanschkuigelhahn
- Válvula de bola con bridas MARS Serie 90D
- MARS Série 90D bride Ball Valve

## MARS 90D Flanged ANSI 150 Ball Valve

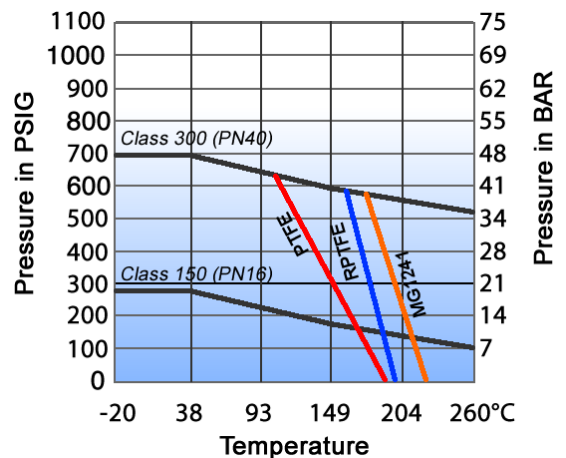
### ANSI 150



**90D -10 Dimensions ANSI Class 150**

Size	C	B	E	D	D1	D2	I	J	L	N	P	Q	R	T	W	W1	d1	d2	Wt (kg)	ISO5211
1/2"	15	11	165	46.7	9.9	36	42	50	108.3	4	60.5	16	35.1	88.9	11.2	1.6	6.5	7	1.81	F04/F05
3/4"	20	11	165	51.2	9.9	36	42	50	117.3	4	69.9	16	42.9	98.6	11.2	1.6	6.5	7	2.19	F04/F05
1"	25	11	165	58.8	10.3	36	42	50	127.1	4	79.2	16	50.8	108	11.2	1.6	6.5	7	2.91	F04/F05
1 1/4"	32	14	215	72.6	12.9	49	50	70	139.7	4	88.9	16	63.5	117.3	12.7	1.6	7.5	9	3.96	F05/F07
1 1/2"	38	17/19	262	89.1	19	58	70	102	165.1	4	98.6	16	73.2	127	14.3	1.6	10	12	6.4	F07/F10
2"	50	17/19	262	96.6	19	58	70	102	178.3	4	120.7	19	91.9	152.4	15.9	1.6	10	12	9.19	F07/F10
2 1/2"	65	17/19	262	116	19	58	70	102	190	4	139.7	19	104.6	177.8	17.6	1.6	10	12	14.3	F07/F10
3"	80	22	365	132.5	23	46.2	102	125	203.5	4	152.4	19	127	190.5	19	1.6	12	14	19.5	F10/F12
4"	100	22	365	157	23	46.2	102	125	228.6	8	190.5	19	157.2	228.6	23.9	1.6	12	14	31	F10/F12
5"	125	27	750	192.7	28.5	66.5	125	140	355.6	8	215.9	22.2	185.7	254	23.9	1.6	14	18	55.7	F12/F14
6"	150	27	750	210.2	28.5	66.5	125	140	393.7	8	241.3	22.2	215.9	279.4	25.4	1.6	14	18	75	F12/F14
8"	201	36	955	265	40	61	140	165	457.2	8	298.5	22.2	269.7	343	28.5	1.6	18	22		F14/F16
10"	252	36	955	300	40	61	140	165	533.4	12	362	25.4	324	406.4	30.3	1.6	18	22		F14/F16

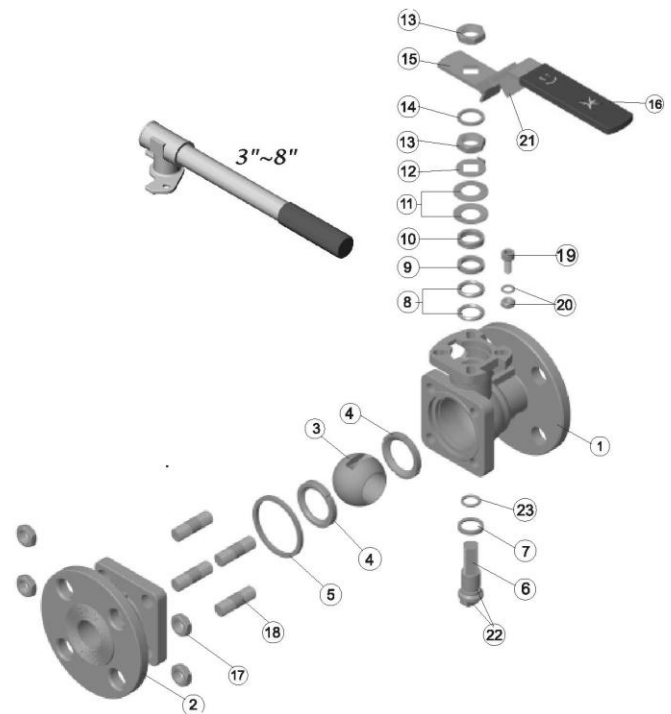
TORQUE FIGURES				
Valve Size		Break Away Torque (R-PTFE Seats)		C.v.
Size	DN	In/LB	Nm	G.P.M
1/2"	15	92	10	28
3/4"	20	127	14	50
1"	25	150	17	95
1 1/4"	32	207	23	132
1 1/2"	40	357	40	260
2"	50	392	44	485
2 1/2"	65	518	59	800
3"	80	852	96	1250
4"	100	1302	147	2250
5"	125	2073	234	3620
6"	100	2188	247	5400



-  MARS Series 90D Flanged Ball Valve
-  MARS Serie 90D Flansch-Kugelhahn
-  Válvula de bola con bridas MARS Serie 90D
-  MARS Série 90D bride Ball Valve

## MARS 90D Flanged ANSI Ball Valve

Materials			
No	Part Name	Material	Qty
1	Body	CF8M / WCB	1
2	Cap	CF8M / WCB	1
3	Ball	SUS316	1
4	Seat	RPTFE	1
5	Joint Gasket	PTFE	2
6	O-Ring	Viton	2
7	Stem	SUS304	1
8	Stem Seal	RPTFE	2
9	O-Ring	SUS304	1
10	Gland Packing	PTFE	5
11	Gland Packing	RPTFE	1
12	Gland Bush	SUS304	1
13	Belleville washer	PTFE	1
14	Stop Washer	SUS304	*
15	Stem Nut	SUS304	1
16	Stem Washer	Vinyl	1
17	Handle	25% RTFE	1
18	Stop Pin	SUS304	1
19	Locking Device	SUS304	1
20	Handle Sleeve	SUS304	1
21	Pin Nut		
22	Anti-static Device		



Standard Specification			
<b>Construction</b>	Split Body Flanged Ball Valves, Full Port Investment Cast: 1/2" to 6" Sand Cast 5" to 10"	<b>Compliance Standards</b>	ANSI B16.34, ANSI B16.5, ANSI B16.10, API 6D, API 509, API 607, BS5351, BS6755, ISO5211, DIN3337, DIN 3202, DIN 2501, MSS SP25, MSS SP55
<b>Size Range</b>	1/2" - 6"	<b>Material Certificate</b>	EN 10204 - 3.1
<b>Pressure rating</b>	90D Carbon Steel ANSI 150	<b>Quality System</b>	ISO 9001
<b>Valve Material</b>	Standard: ASTM A351 Gr. Options: WCB, 316L S/S, Titanium, Duplex, Hastelloy C, Alloy 20	<b>Options</b>	NCE MR - 0175 Stand Valve is non-fire safe design, fire safe valve is optional
<b>Seat Material</b>	Standard: R-TFE / PTFE Options: TFM 1600, PEEK, Carbon Filled PTFE, DERLIN, UHMWPE, 50/50 S/S filled PTFE, Metal Seats... and others	<b>Inspection and Test</b>	API 598, BS6755 Part 1