



2/2 Mars Series 88 Ball Valve

- Stainless Steel Ball Valve
- Heavy Duty Design
- Sizes from ¼" - 4"
- Pressure Rating up to 2000 PSI
- ISO Mounting Pad for Easy Actuation
- Full or Reduced Bore Options
- Various End Connections Available

Description

MARS Series 88 heavy duty 3 piece ball valve, supplied in either Reduced or Full bore and supplied in stainless steel and fitted with carbon filled reinforced PTFE seats and seals. The valve has a unique encapsulated body bolt design and offers a raised ISO mounting pad with a square stem top for direct mounting for actuation. A Lockable lever can be supplied for manual operation. The body seals can be replaced/maintained in line by dropping the swing out body without disassembly.

Ends come in either BSPP, NPT, Socket Weld and Butt weld (SCHD 40)

Other options include stainless steel filled seats. Fire-Safe versions, V Control Ball fitted and carbon steel versions.



Description

The Mars series 88 is a high performance, heavy duty ball valve that is fully maintainable. Offered in full or reduced bore with a raised direct mount ISO pad for actuation.

¼" - 1" - 2000 PSI
1¼" - 2" - 1500 PSI
2½" - 4" - 1000 PSI



Beschreibung

Die Mars Serie 88 ist ein Hochleistungs-Kugelhahn mit hoher Leistung, der vollständig wartbar ist. Angeboten in voller oder reduzierter Bohrung mit einem erhöhten ISO-Direktmontage-Pad zur Betätigung.

¼" - 1" - 2000 PSI
1¼" - 2" - 1500 PSI
2½" - 4" - 1000 PSI



Descripción

La serie 88 de Mars es una válvula de bola de alto rendimiento y servicio pesado que se puede mantener en su totalidad. Se ofrece en diámetro total o reducido con una almohadilla ISO de montaje directo elevado para su accionamiento.

¼" - 1" - 2000 PSI
1¼" - 2" - 1500 PSI
2½" - 4" - 1000 PSI



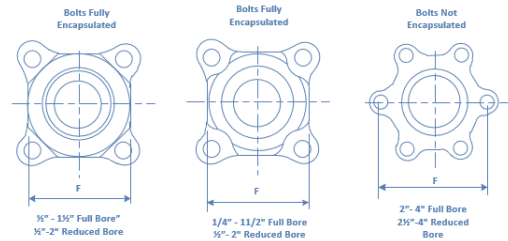
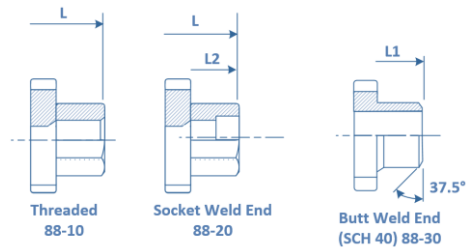
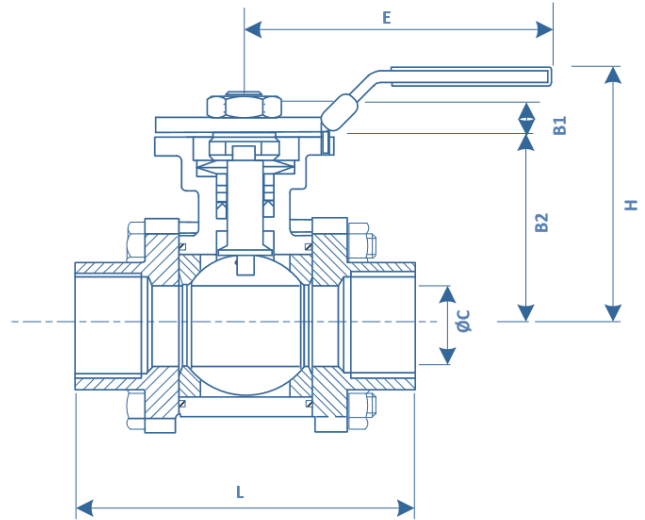
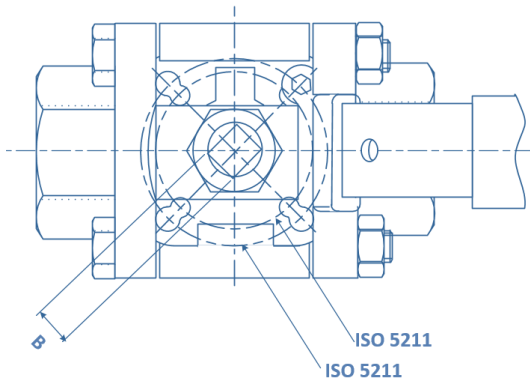
Description

La série Mars 88 est une vanne à boisseau sphérique haute performance et robuste qui est entièrement maintenable. Offert en alésage complet ou réduit avec un tampon ISO à montage direct surélevé pour l'actionnement.

¼" - 1" - 2000 PSI
1¼" - 2" - 1500 PSI
2½" - 4" - 1000 PSI



BV5114



Dimensions Reduced Bore

Size	L	L1	L2	B1	B2	H	E	F	ISO 5211	Weight
1/4"	Use full bore									
3/8"										
1/2"	72.5	75	10	6.4	42.6	78	139	9	F03 & F04	0.89
3/4"	72.5	74.8	13	6.4	42.6	78	139	9	F03 & F04	0.82
1"	85.4	89.8	13	8.5	46.9	82.6	139	9	F03 & F04	1.29
1 1/4"	105.3	109.4	13	10.4	59.3	98.5	165	11	F04 & F05	2.01
1 1/2"	111	114.4	13	10.4	62.6	101.8	165	11	F04 & F05	2.76
2"	127.3	142.8	16	13.4	79	127	215	14	F05 & F07	4.21
2 1/2"	142.8	185	16	13.4	87.7	135.6	215	14	F05 & F07	5.83
3"	185	205	16	16.8	108.7	167	262	17	F07 & F10	12
4"	205	240	20	17.8	117.7	176	262	17	F07 & F10	16.2

Dimensions Full Bore

Size	L	L1	L2	B1	B2	H	E	F	ISO 5211	Weight
1/4"	72.5	75	10	6.4	42.6	78	139	9	F03 & F04	0.89
3/8"	72.5	75	10	6.4	42.6	78	139	9	F03 & F04	0.89
1/2"	72.5	75	10	6.4	42.6	78	139	9	F03 & F04	0.82
3/4"	85.4	90	13	8.6	46.9	82.6	139	9	F03 & F04	1.29
1"	105.3	110	13	10.4	59.3	98.5	165	11	F04 & F05	2.01
1 1/4"	111	115	13	10.4	62.6	101.8	165	11	F04 & F05	2.76
1 1/2"	127.3	130	13	13.4	79	127	215	14	F05 & F07	4.21
2"	142.8	143	16	13.4	87.7	135.6	215	14	F05 & F07	5.83
2 1/2"	185	185	16	16.8	108.7	167	262	17	F07 & F10	12
3"	205	205	16	17.8	117.7	176	262	17	F07 & F10	16.2
4"	240	240	20	16.8	133.7	192.7	312	17	F07 & F10	25.8

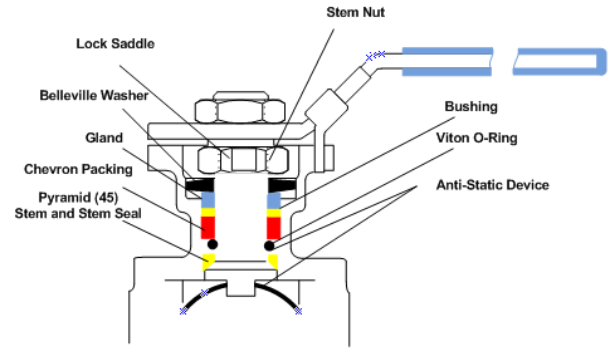
BREAKAWAY TORQUE & C.V.

Size		Break Away Torque N/M		C.V. (G.P.M.)	
inches	DN	Full	Red.	Full	Red.
1/4"	8	8	8	8	8
3/8"	10	8	8	8	8
1/2"	15	8	8	15	8
3/4"	20	10	10	34	15
1"	25	16	10	56	34
1 1/4"	32	23	16	85	56
1 1/2"	40	33	23	125	85
2"	50	47	33	250	125
2 1/2"	65	62	47	320	250
3"	80	101	62	580	350
4"	100	114	101	1020	580

All information is sourced from our manufacturer's data and is intended for guidance only - Valves Online can accept no liability for changes, omissions or errors.

Parts List

No.	Part Name	Material	Qty
1	Body	CF8M	1
2	End Cap	CF8M	2
3	Ball	SUS316	1
4	Stem	SUS316	1
5	Stem Nut	SUS304	1
6	Belleville washer	SUS301	1
7	Handle	SUS304	1
8	Ball Seat	Carbon Filled PTFE	2
9	Gland	SUS304	1
10	Gland packing	PTFE	1
11	Stem Seal	RPTFE	1
12	Stop washer	SUS 304	1
13	Joint Gasket	PTFE	2
14	Bolt	SUS 304	*
15	Stop Pin	SUS 304	1
16	Handle Sleeve	Vinyl	1
17	Bolt Nut	SUS 304	1
18	Stem Washer	SUS 304	1
19	Gland Packing	#	1
20	Locking Device	SUS 304	1
21	Pin Nut	SUS 304	1
22	Washer	SUS 304	1
23	Antistatic-Device	SUS 304	@
24	O-Ring	Viton	1



1. PYRAMIDAL STEM WITH STEM SEAL

First stage of defense against leakage. The 45 degree slope of the stem accompany by the stem seal effectively blocks all leak path from forming during rotation.

2. V-RING STEM PACKING

Second stage of defense against leakage. Triple layers of V-Ring Chevron on packing expands side ways as it is being compressed, blocking all air pockets thus preventing leak path. The grinding effect of metal to PTFE contact.

3. GLAND

Made of stainless steel, equally distributes the compressive force on the packing and the seal.

4. BELLEVILLE WASHER

Release stored compressive energy for automatic compensation of seals due to wear and tear fluctuation of temperature and pressure.

5. LOCK SADDLE

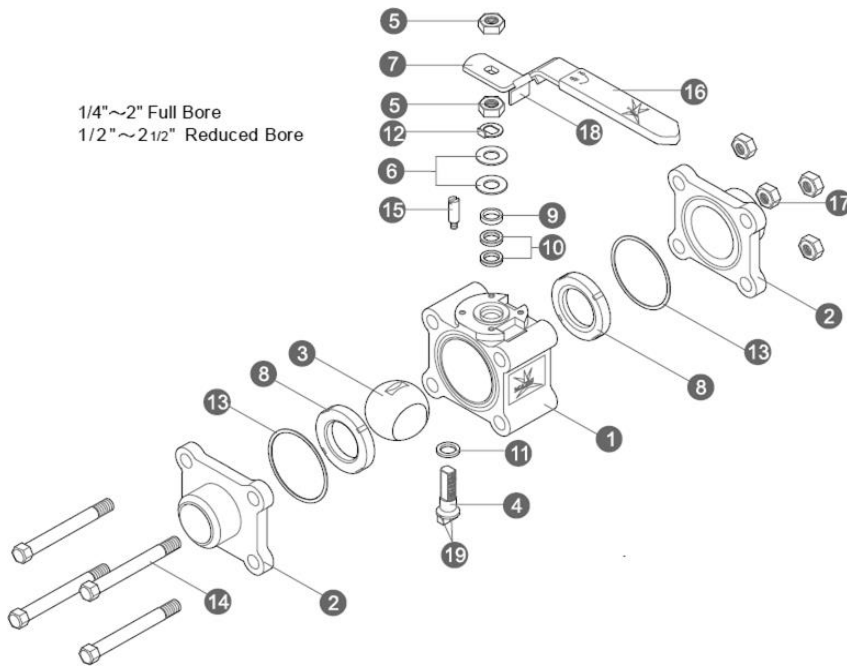
Stabilizes the stem nut to keep it from loosening.

6. STEM NUT

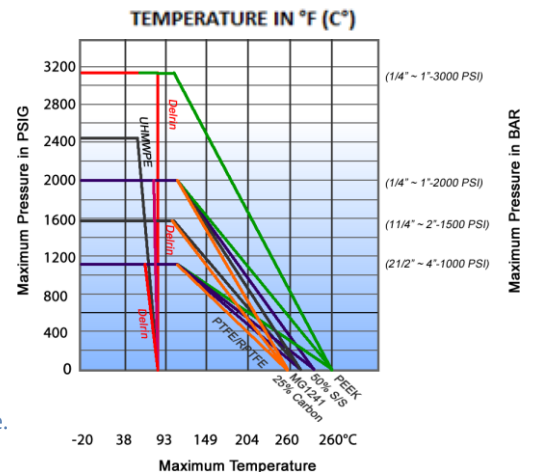
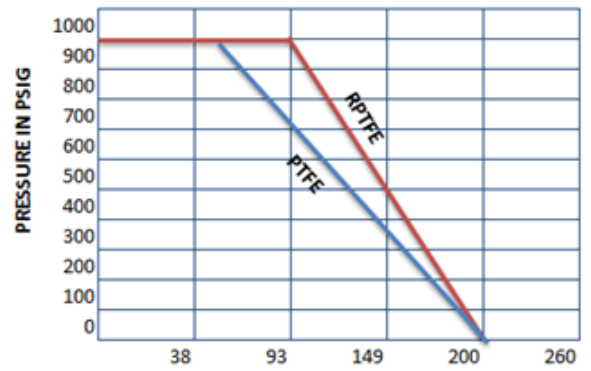
Compress the entire stem system to enable blocking of leakage.

7. ANTI-STATIC DEVICE

Standard applied between stem and ball, stem and body.



PRESSURE V TEMPERATURE CHART



Options

Mars Series 88 Heavy Duty, 3 PCE Ball Valve.

WATER JACKET

This ball valve is particularly good with heating jackets, which prevent solidification and blockage.

V-CONTROL

V control valves match the control of globe valves, excellent for modulating service. Compact, lightweight and less expensive than globe valves.

All information is sourced from our manufacturer's data and is intended for guidance only - Valves Online can accept no liability for changes, omissions or errors.