



## 2/2 Mars Series 77SN Ball Valve OD Weld Ends

- No Dead Space in Through Path
- Encapsulated Hygienic Seats
- All Materials Comply with FDA Requirements
- Good for use with CIP
- Easy to Actuate
- Fully Maintainable
- Clamp and Weld OD End Connections

Mars 3-piece hygienic series 77SN ball valve, with a raised direct mounting pad for easy actuation and offering high performance with easy installation.

True Tube full port which offers no dead space in the through path. CF8M body, end caps and ball are 316 Stainless Steel. Live loaded stem packing compensates for wear and fluctuations. Fully Encapsulated Virgin PTFE Seats and swing out design allowing in line maintenance. For manual use a lockable lever with Blue PVC sleeve can be offered.

### Technical Info

All wetted parts are mechanically polished to 15-20 Ra. All valve components are cleaned and inspected to verify the removal of all contamination, including grease, dust, or other hydrocarbon residues.

### Clamp and weld Ends

#### CAVITY FILLED SEATS

Cavity filled seats are designed to eliminate the cavity around the ball, minimize trapped fluid in the valve body that can contaminate the process. Mars Cavity Filled Seats offer excellent performance in control of food products, pharmaceuticals and high velocity applications.



#### Description

Mars series 77SN full bore ball valve, suitable for sanitary applications, having encapsulated PTFE body seals. Fully maintainable and suitable for CIP. The unique top platform enables direct mounting of electric and pneumatic actuators. Temperature Range -20°C to 180°C.



#### Beschreibung

Mars Serie 77SN Vollanddurchgang -Kugelhahn, geeignet für Anwendungen im Sanitärbereich, nachdem gekapselte PTFE Gehäusedichtungen. Voll wartbar und CIP. Die einzigartige Top - Plattform ermöglicht die direkte Montage von elektrischen und pneumatischen Stellantrieben. Temperaturbereich -20 ° C bis 180 ° C.



#### Descripción

Serie Marte 77SN válvula de bola de paso completo, adecuado para aplicaciones sanitarias, que tiene encapsulado sellos del cuerpo PTFE. Totalmente mantenible y adecuado para CIP. La plataforma superior única permite el montaje directo de actuadores eléctricos y neumáticos. Rango de temperatura de -20°C a 180°C.



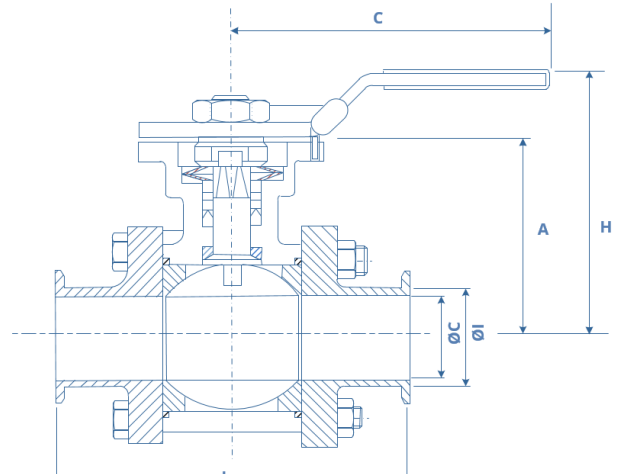
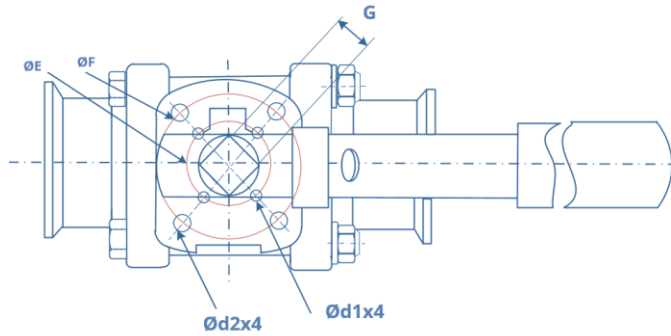
#### Description

Série Mars 77SN passage intégral vanne à boisseau sphérique, adapté pour les applications sanitaires, ayant encapsulé joints de corps de PTFE. Entièrement maintenable et adaptées pour le CIP. La plate-forme supérieure unique permet un montage direct des actionneurs électriques et pneumatiques. Gamme Température -20°C à 180°C.

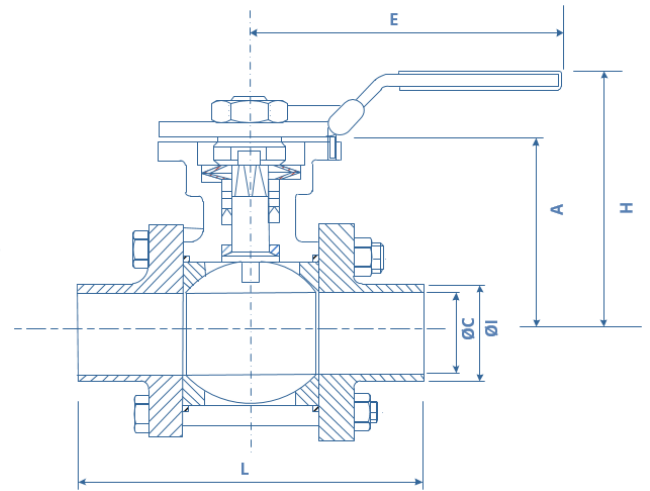
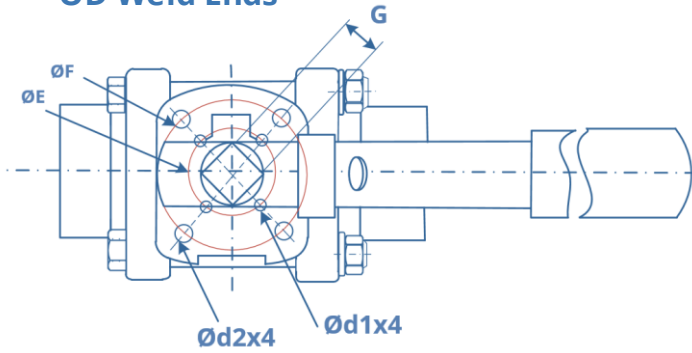
[View Product Online](#)

[Click Here](#)

Tri-Clamp Ends



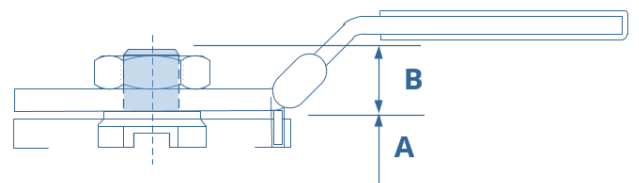
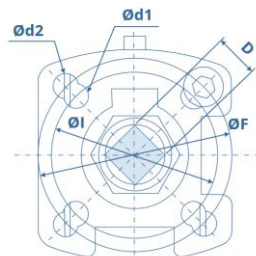
OD Weld Ends



- All Materials Comply with FDA Requirements

Dimensions for MARS Series 77SN

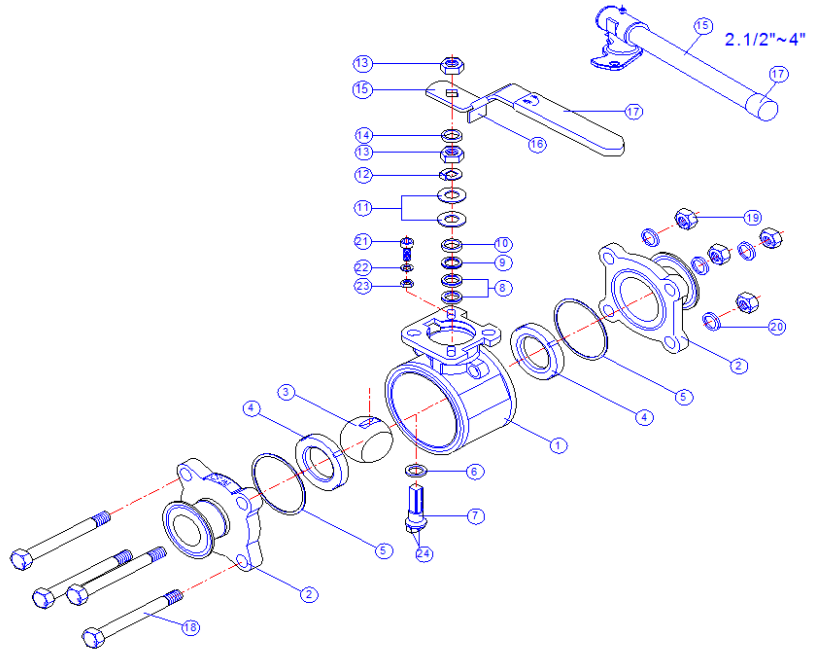
Size	ØC	ØI	A	B	C	ØE	ØF	Ød1	Ød2	G	H	L Clamp	L Tube	Wt.Kg Clamp	Wt.Kg Tube	ISO 5211
1/2"	9.4	12.7	42.1	6.4	139	36	42	6	6	9	77	89.1	139.8	0.76	0.71	F03/F04
3/4"	15.75	19	48	6.9	139	36	42	6	6	9	83	101.6	146	0.87	0.91	F03/F04
1"	22.2	25.4	56.6	11.2	165	42	50	6	7	11	96	114.5	158.7	1.44	1.26	F04/F05
1 1/2"	34.9	38.1	77.5	14.2	215	50	70	7.5	9	14	127	140.1	190.6	3.29	3.24	F05/F07
2"	47.5	50.8	85.2	14.2	215	50	70	7.5	9	14	134	159	216	4.57	3.59	F05/F07
2 1/2"	60.3	63.5	109	17.1	300	70	102	10	12	17	167	174	247.6	9.46	9.9	F07/F10
3"	73	76.2	112	18.1	370	70	102	10	12	17	176	193.2	266.8	12.81	13.19	F07/F10
4"	97.4	101.6	133	17.1	370	70	102	10	12	17	192	226	317.6	20.33	21.13	F07/F10



All information is sourced from our manufacturer's data and is intended for guidance only - ValvesOnline can accept no liability for changes, omissions or errors.

**Material List**

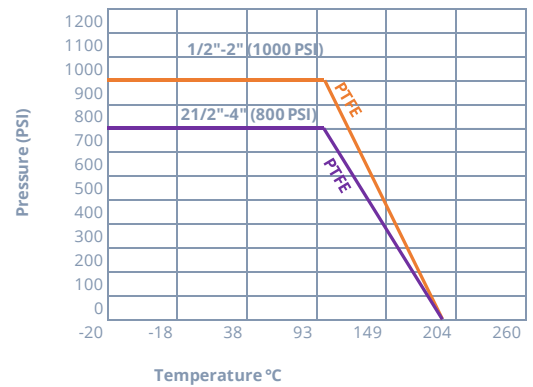
NO.	Parts	Materials	QTY
1	Body	CF8M	1
2	End Cap	CF3M	2
3	Ball	SS316	1
4	Seat	PTFE	2
5	Joint Gasket	PTFE	2
6	Stem Seal	RPTFE	1
7	Stem	SS316	1
8	Stem packing	PTFE	#
9	Stem packing	25% filled PTFE	1
10	Gland	SUS304	1
11	Belleville washer	SUS304	2
12	Lock saddle	SUS304	1
13	Stem nut	VINYL	2
14	Stem washer	SUS304	1
15	Handle	SUS304	1
16	locking device	SUS304	1
17	Handle sleeve	VINYL	1
18	Bolt	SUS304	*
19	Bolt nut	SUS304	&
20	Bolt washer	SUS304	&
21	Stop pin	SUS304	1
22	washer	SUS304	1
23	Pin nut	SUS304	1
24	Antistatic device	SUS316	2



**Specification**

Pressure range	1/2" to 2" 1000 PSI, 2 1/2" to 4" 800 PSI
Size	1/2" to 4"
Temperature range	-20° to +180° (see graph)
Movement	90 deg turn

**Pressure V Temperature Chart**



SIZE	Top Works		Break away Torque		Flow rates Cv U.S. GPM
	D	ISO 5211	Nm	In/lbs	
1/2"	9	F03/F04	10	58	14
3/4"	9	F03/F04	12	69	45
1"	11	F04/F05	17	127	81
1 1/2"	14	F05/F07	48	253	215
2"	14	F05/F07	48	346	410
2 1/2"	17	F07/F10	98	518	618
3"	17	F07/F10	111	806	980
4"	17	F07/F10	124	1094	1840

**Easy to Actuate**



All information is sourced from our manufacturer's data and is intended for guidance only - Valves Online can accept no liability for changes, omissions or errors.