

## Mars Series 77 Direct Mount Ball Valve



- Stainless Steel Ball Valve
- Direct Mount for Actuation
- RPTFE Seats
- Sizes from 1/4" - 4"
- ATEX Approved
- Lockable Handle
- Various End Connections



### Description

The Mars series 77 is a three piece full bore ball valve in stainless steel, it has a pressure rating of 1000 PSI PN63. The valve has a raised ISO mounting pad with a square stem top making it ideal for direct mounting of actuators. The valve is fitted with a blow out proof stem. RPTFE seats are fitted as standard and end connections are in BSPP, NPT, Socket and Butt Weld.

The valve is supplied with a lockable steel lever with a blue PVC sleeve. The unique three piece construction makes it possible to inspect or repair this ball valve very easily. The body can be removed from the pipe section, complete with ball and sealing rings in-situ and refitting of seals can be achieved without removing the connection pieces from the pipe.



### Description

Mars series 77 three piece full bore, fully maintainable manual ball valve. Stainless steel body and 25% carbon filled RPTFE seats. Direct mounting pad for easy actuation.  
Temperature Range -20°C to 200°C.  
Various end connections.  
BSP, NPT, Socket Weld, Butt Weld SCHD 40.



### Beschreibung

Mars Serie 77 dreiteiliger, vollständig wartbarer Kugelhahn mit vollem Durchgang. Edelstahlgehäuse und mit 25% Carbon gefüllte RPTFE-Sitze. Direkte Montageplatte zur einfachen Betätigung.  
Temperaturbereich -20 °C bis 200 °C.  
Verschiedene Endanschlüsse. BSP, NPT, Muffenschweißen, Stumpfschweißen SCHD 40.



### Descripción

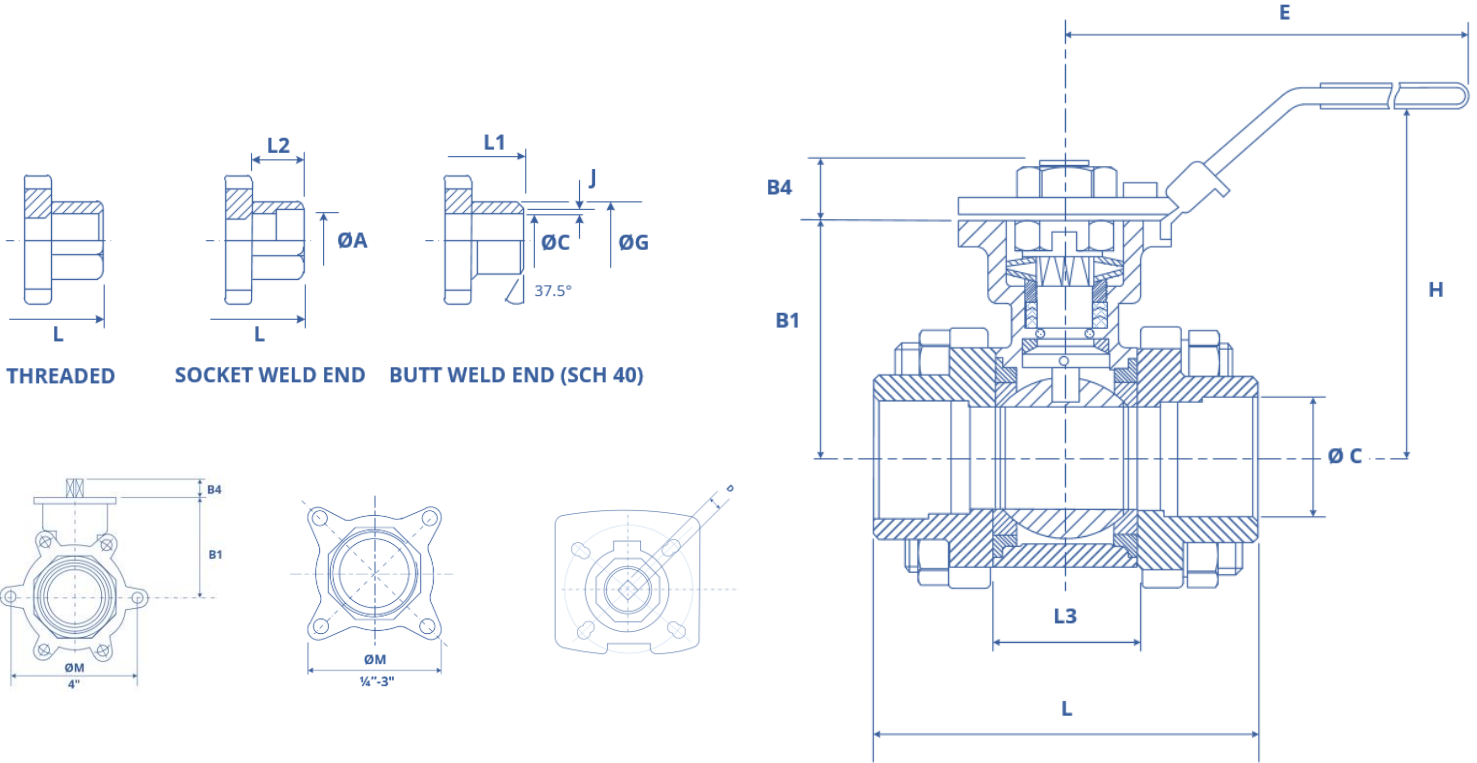
Válvula de bola manual de tres piezas, de diámetro completo, serie Mars, totalmente mantenible. Cuerpo de acero inoxidable y asientos RPTFE con relleno de carbono al 25%. Almohadilla de montaje directo para una fácil actuación.  
Rango de temperatura -20 °C a 200 °C.  
Varias conexiones finales. BSP, NPT, Socket Weld, Butt Weld SCHD 40.



### Description

Robinet à boisseau sphérique manuel entièrement maintenable en trois pièces de la série Mars 77. Corps en acier inoxydable et sièges en RPTFE à 25% de carbone. Patin de montage direct pour un actionnement facile.  
Gamme de température -20 °C à 200 °C.  
Diverses connexions d'extrémité. BSP, NPT, Soudure à emboîtement, Soudure bout à bout SCHD 40.



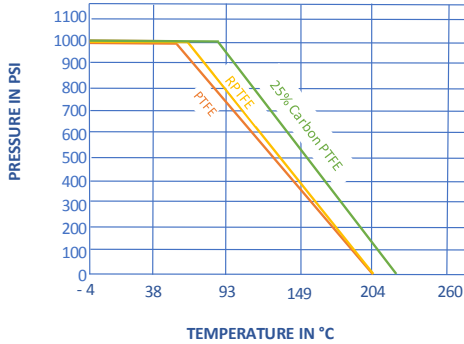


### Dimensions

Size	DN	$\varnothing C$	L	L1	L2	L3	H	J	$\varnothing G$	$\varnothing M$	E	B1	B4	Weight
1/4"	8	11.6	63	62.7	10	23.6	77	1.6	16.2	46	139	42	6.4	0.63
3/8"	10	12.5	63	62.7	10	23.6	77	1.6	17.5	46	139	42	6.4	0.63
1/2"	15	15	66	65.7	10	23.6	77	1.6	22.7	46	139	42	6.4	0.66
3/4"	20	20	76	76.2	13	28	83	1.6	27.5	52	139	48	6.9	0.82
1"	25	25	86	86.2	13	33.9	96	1.6	34	60	165	56.6	11.2	1.25
1 1/4"	32	32	102	103	13	42.5	100	1.6	2.7	73.5	165	61	11.2	1.94
1 1/2"	40	38	120	119	13	53.2	127	1.6	48.6	85.5	215	77.5	14.2	3.15
2"	50	50	131	131	16	64.6	134	1.6	60.5	104	215	85	14.2	4.56
2 1/2"	65	63	164	164	16	87	167	2	76.3	130	300	109	17.1	9.01
3"	80	76	182	183	16	99	176	2	90	156	370	117	18.1	12.3
4"	100	96	236	236	20	127	192	3.5	116	188	370	132	17.1	21.54

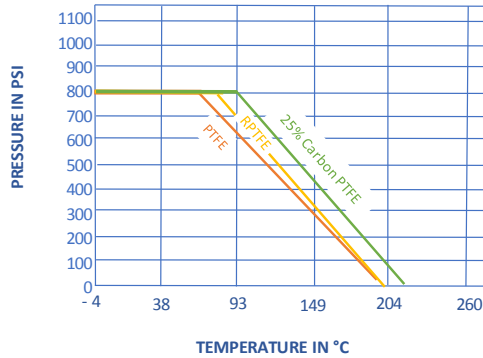
1/4" to 2"

PRESSURE V TEMPERATURE CHART



2 1/2" to 4"

PRESSURE V TEMPERATURE CHART



Technical and Parts List

No.	Part Name	Material	Qty
1	Body	CF8M	1
2	End Cap	CF8M	2
3	Ball	SUS316	1
4	Stem	SUS316	1
5	Stem Nut	SUS304	1
6	Thrust Washer	SUS304	1
7	Handle	SUS304	1
8	Seat	Reinforced PTFE	2
9	Gland Ring	SUS304	1
10	Stem Packing	PTFE	1
11	Belleville washer	SUS304	2
12	Nut	SUS304	1

Specification

Pressure range	1/4" to 4" 1000 PSI
Size	1/4" to 4"
Temperature range	minus 20°C to + 200°C (see graph)
Movement	90 deg turn
Cycle life	1,000,000 operations
Approvals	Ex toll2 GD ATEX 94/9/EC CE - 0035 PED/97/23/EC

Size	Top works		Break away torque PTFE		Break away torque RPTFE	Flow Rates	
	D	ISO 5211	N/m	In/lbs		Cv US GPM	Kv (M³/h)
1/4"	9	FO3/F04	7	58	8.75	8	6.8
3/8"	9	FO3/F04	7	58	8.75	8	6.8
1/2"	9	FO3/F04	7	58	8.75	15	12.8
3/4"	9	FO3/F04	8	69	10	34	29.1
1"	11	FO4/F05	14	127	17.5	56	47.8
1 1/4"	11	FO4/F05	20	173	25	85	72.6
1 1/2"	14	FO5/F07	29	253	36.25	125	106.8
2"	14	FO5/F07	39	346	48.75	250	213.7
2 1/2"	17	FO7/F10	59	518	73.75	320	273.3
3"	17	FO7/F10	91	806	113.75	580	495.3
4"	17	FO7/F10	124	1094	155	1020	871.1

OPTIONS

- Electric Actuator
- Pneumatic actuator
- Switchbox
- V Ball