

Series 50SN Ultra Pure Sanitary Ball Valve OD Weld End



- No Dead Space in Through Path
- Encapsulated Hygienic Seats
- All Materials Comply with FDA Requirements
- Various End Connections
- Lockable Lever
- Fully Maintainable
- Suitable for CIP / SIS



Description

Mars series 50SN is a full bore ball valve, suitable for sanitary applications, having encapsulated PTFE body seals. Fully maintainable and suitable for CIP/SIS in line cleaning. Supplied with lockable lever handle and suitable for on / off applications. Temperature Range -20°C to 180°C.



Beschreibung

Mars Serie 50SN ist ein Full- Kugelhahn , geeignet für Anwendungen im Sanitärbereich , nachdem gekapselte PTFE Gehäusedichtungen . Voll wartbar und geeignet für CIP / SIS im Einklang Reinigung. Geliefert mit abschließbaren Türdrücker und geeignet für Ein- / Aus- Anwendungen. Temperaturbereich -20 ° C bis 180 ° C .



Descripción

Serie Marte 50SN es una válvula de bola de paso completo , adecuado para aplicaciones sanitarias, habiendo encapsulado sellos del cuerpo PTFE . Totalmente mantenible y adecuado para CIP / SIS en limpieza de la línea . Se suministra con manilla con cerradura y adecuado para aplicaciones todo / . Rango de temperatura de -20°C a 180°C .



Description

Série Mars 50Sn est une soupape alésage de balle complète , adaptée pour les applications sanitaires , ayant encapsulé PTFE joints de corps . Entièrement maintenable et adaptées pour le CIP / SIS dans le nettoyage de la ligne . Livré avec poignée de levier verrouillable et adapté pour des applications on / off . Gamme Température -20°C à 180°C .

Description

Economic three piece hygienic ball valve for manual on/off operation, offering high performance with easy installation.

True Tube full port which offers no dead space in the through path. CF8M body and End caps and ball are 316 Stainless Steel.

Live loaded stem packing compensates for wear and fluctuations. Fully Encapsulated Virgin PTFE Seats and swing out design allowing in line maintenance.

This valve is ideally suited for manual use and is supplied with a lockable lever with Blue PVC sleeve.

OD Weld Ends BV5133

Clamp Ends BV5132

For Actuation we can offer the identical valve which has the addition of a mounting platform type:-

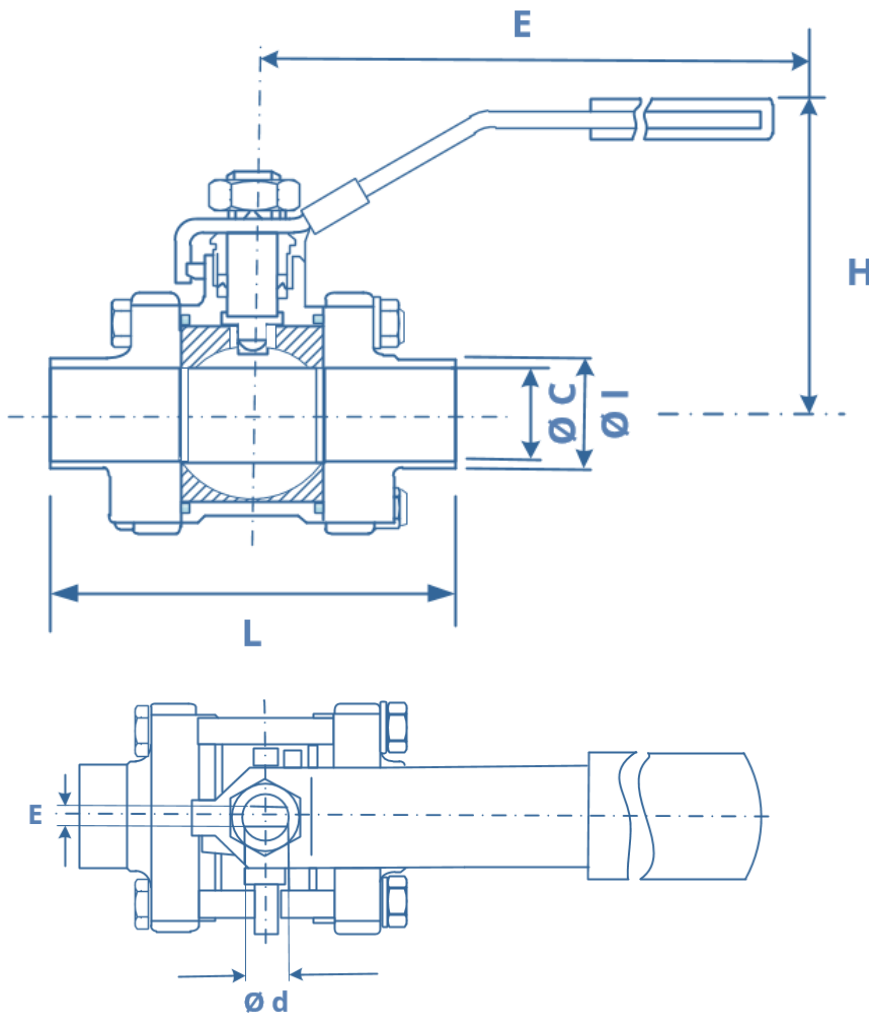
Series 77SN

Clamp Ends BV5134

OD Weld Ends BV5135

[View Product Online](#)

[Click Here](#)



Technical Info
 All wetted parts are mechanically polished to 15-20 Ra. All valve components are cleaned and inspected to verify the removal of all contamination, including grease, dust, or other hydrocarbon residues.

Design Advantages

- Economic
- Complete 316L Stainless Steel
- True Tube Full Port Design
- Extra High Cycle Rate
- Blow Out Proof Stem
- Flush and Drain (CIP/SIP) Capability

- All Materials Comply with FDA Requirements

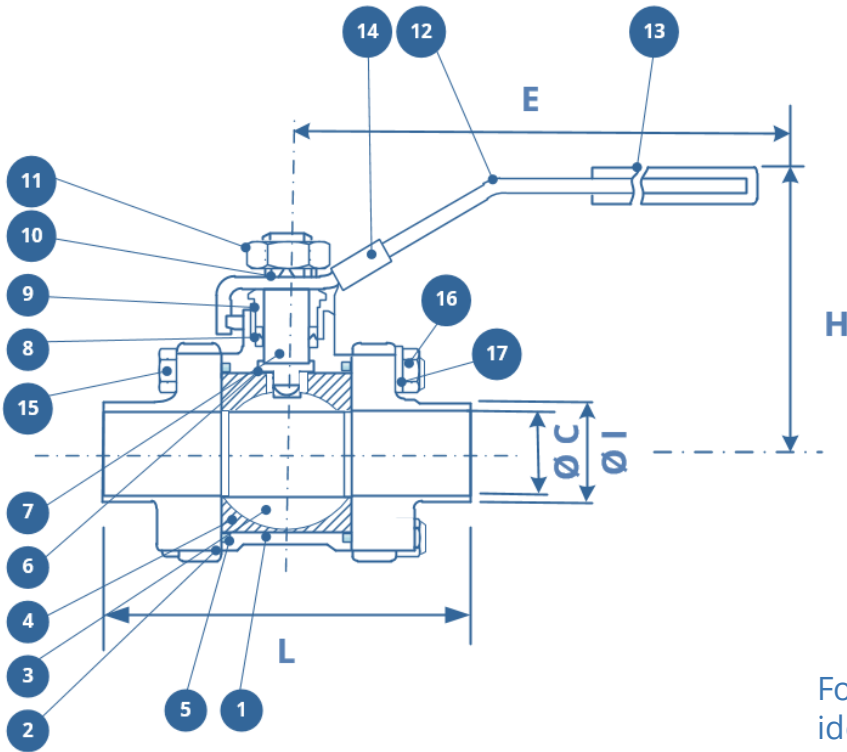
Dimensions for MARS Series 50SN

Size	ØC	ØI	H	E	L Clamp	L Tube	Wt.Kg Clamp	Wt.Kg Tube
1/2"	9.4	12.7	64	132	89.1	66.2	0.76	0.71
3/4"	15.75	19	67	132	101.6	75	0.87	0.91
1"	22.2	25.4	75	167	114.5	94.2	1.44	1.26
1 1/2"	34.9	38.1	90	192	140.1	114.7	3.29	3.24
2"	47.5	50.8	98	192	159	128	4.57	3.59
2 1/2"	60.3	63.5	137	252	174	160	9.46	9.9
3"	73	76.2	147	252	193.2	176.2	12.81	13.19
4"	97.4	102	175	282	226	210	20.33	21.13

CAVITY FILLED SEATS

Cavity filled seats are designed to eliminate the cavity around the ball, minimize trapped fluid in the valve body that can contaminate the process. Mars Cavity Filled Seats offer excellent performance in control of food products, pharmaceuticals and high velocity applications.

All information is sourced from our manufacturer's data and is intended for guidance only - ValvesOnline can accept no liability for changes, omissions or errors.



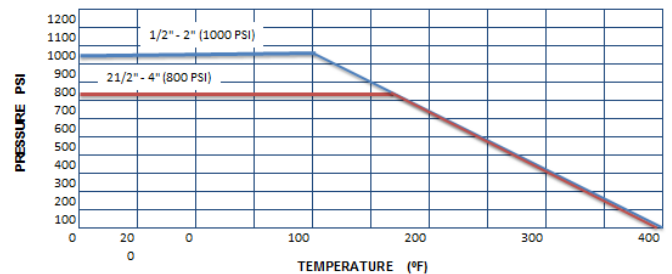
The Valves have a cavity filler PTFE seats ensuring that no voids are around the ball, making the valve completely hygienic. The valve body is manufactured from grade 316 Stainless Steel and suitable for pressures up to 1000psi

For Actuation we can offer the identical valve which has the addition of a mounting platform type:-
Series 77SN
Clamp Ends BV5134
OD Weld Ends BV5135

Material List

NO.	Parts	Materials	QTY
1	Body	CF8M	1
2	End Cap	CF3M	2
3	Ball	SS316	1
4	Seat	PTFE	2
5	Joint Gasket	PTFE	2
6	Stem Seal	PTFE	1
7	Stem	SS316	1
8	Gland packing	PTFE	1set
9	Gland Nut	SUS304	1
10	Stem Washer	SUS304	1
11	Stem Nut	SUS304	1
12	Handle	SUS304	1
13	Handle Sleeve	VINYL	1
14	Locking Device	SUS304	1
15	Bolt	SUS304	*
16	Bolt Nut	SUS304	#
17	Bolt Washer	SUS304	#

Size	Break Away Torque N/M		Cv
	PTFE Seats	PTFE Cavity Filled Seats	US GPM
1/2"	9	10	14
3/4"	10	12	45
1"	16	17	81
1 1/2"	36	40	215
2"	44	48	410
2 1/2"	91	98	618
3"	104	111	980
4"	117	124	1840



All information is sourced from our manufacturer's data and is intended for guidance only - Valves Online can accept no liability for changes, omissions or errors.