



Mars Series 50 Stainless Steel Ball Valve

- Full Bore Design
- Various End Connections
- Insulated Lockable Lever Handle
- Pressure Rating 800/1000 PSI
- Stainless Steel Body
- 25% Carbon Filled RPTFE seats
- 200°C
- ¼" - 4"

Description

A quality 3 piece full bore ball valve designed for manual operation and used to isolate and shut off flows. The Mars series 50 stainless steel ball valve offers cost effectiveness coupled with reliability. Fully maintainable with repair kits that are readily available. Body material in stainless steel with options in carbon steel. Carbon Filled RPTFE seats make this an ideal valve for high temperatures. The valves are screwed BSP parallel female ends as standard with various options for NPT thread, Socket weld and Butt weld (SCHD 40). This valve is not recommended for actuation. A lockable lever handle is supplied with the valve.

Design Advantages

Blow - out proof stem

Prevents stem blowing out for maximum safety.

Easy in line maintenance

3 piece body swing out design, allowing easy maintenance.

Repair Kits Readily Available



Description

Mars series 50 three piece full bore, fully maintainable manual ball valve. Lockable lever handle, CF8M Stainless steel body and 25% carbon filled RPTFE seats.

Temperature Range -20° C to 200° C.

Various end connections.

BSP, NPT, Socket Weld, Butt Weld SCHD 40.



Beschreibung

Mars Serie 50 dreiteiliger, vollständig wartbarer Kugelhahn mit vollem Durchgang. Abschließbarer Hebelgriff, CF8M-Edelstahlgehäuse und RPTFE-Sitze mit 25% Carbonfüllung. Temperaturbereich -20 ° C bis 200 ° C

Verschiedene Endanschlüsse. BSP, NPT, Muffenschweißen, Stumpfschweißen SCHD 40.



Descripción

Válvula de bola manual de tres piezas de la serie Mars 50 de diámetro completo y totalmente mantenible. Manija de palanca con cerradura, cuerpo de acero inoxidable CF8M y asientos RPTFE con relleno de carbono al 25%. Rango de temperatura -20 ° C a 200 ° C.

Varias conexiones finales. BSP, NPT, Socket Weld, Butt Weld SCHD 40.

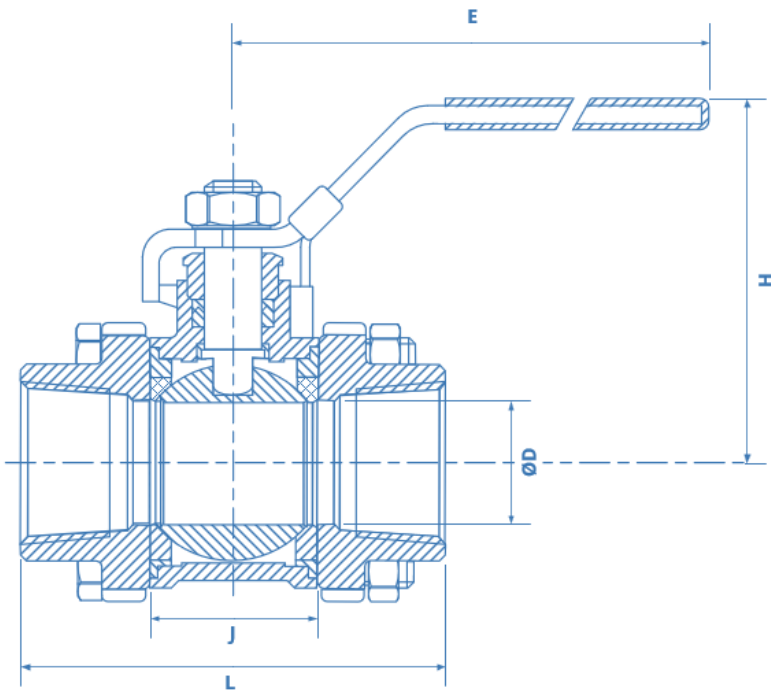


Description

Robinet à tournant sphérique manuel entièrement maintenable en trois pièces de la série 50 de la série Mars. Poignée à levier verrouillable, corps en acier inoxydable CF8M et sièges en RPTFE à 25% de carbone. Plage de température -20 ° C à 200 ° C

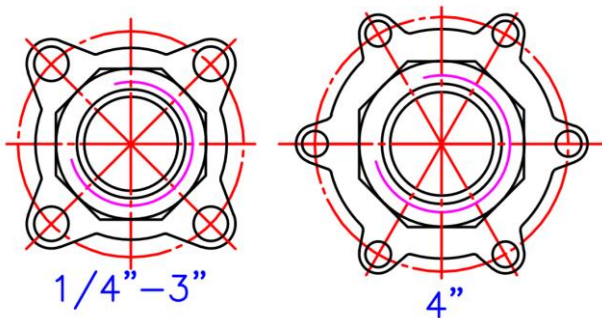
Diverses connexions d'extrémité. BSP, NPT, Soudure à emboîtement, Soudure bout à bout SCHD 40.

BV5111



Dimensions

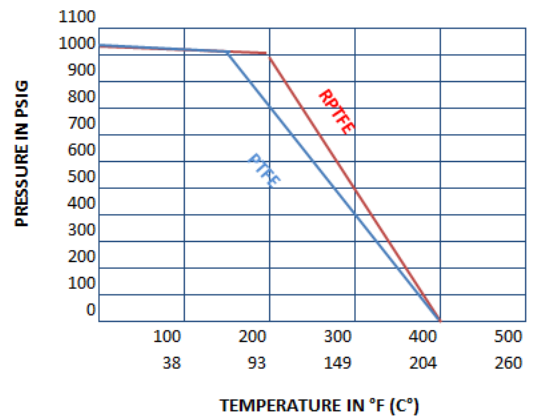
Size	ØD	E	H	L	J	kg
1/4"	11.5	102	54	56.6	18.6	0.36
3/8"	12.7	102	54	56.6	18.6	0.34
1/2"	15	132	64	67.2	23.6	0.53
3/4"	20	132	67	76.2	28	0.7
1"	25	167	78	86.2	33.9	1.02
1 1/4"	32	167	80	102.8	42.5	1.62
1 1/2"	40	192	90	119.4	53.2	2.41
2"	50	192	98	131.4	64.6	3.66
2 1/2"	65	252	137	164	87	7.35
3"	80	252	147	182.7	99	10.21
4"	100	282	175	235.6	127	20.76



End Connections for Series 50
Screwed BSPP / NPT / SW / BW, Schedule 40

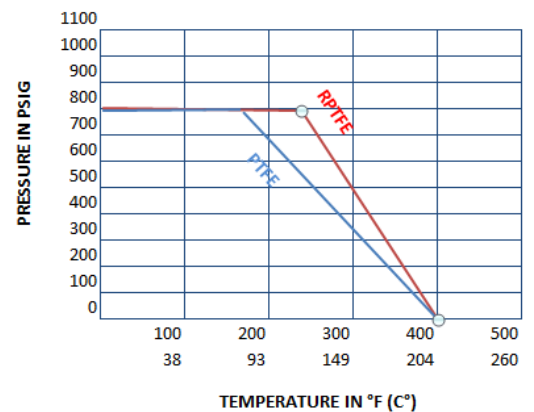
1/4" to 2"

PRESSURE V TEMPERATURE CHART

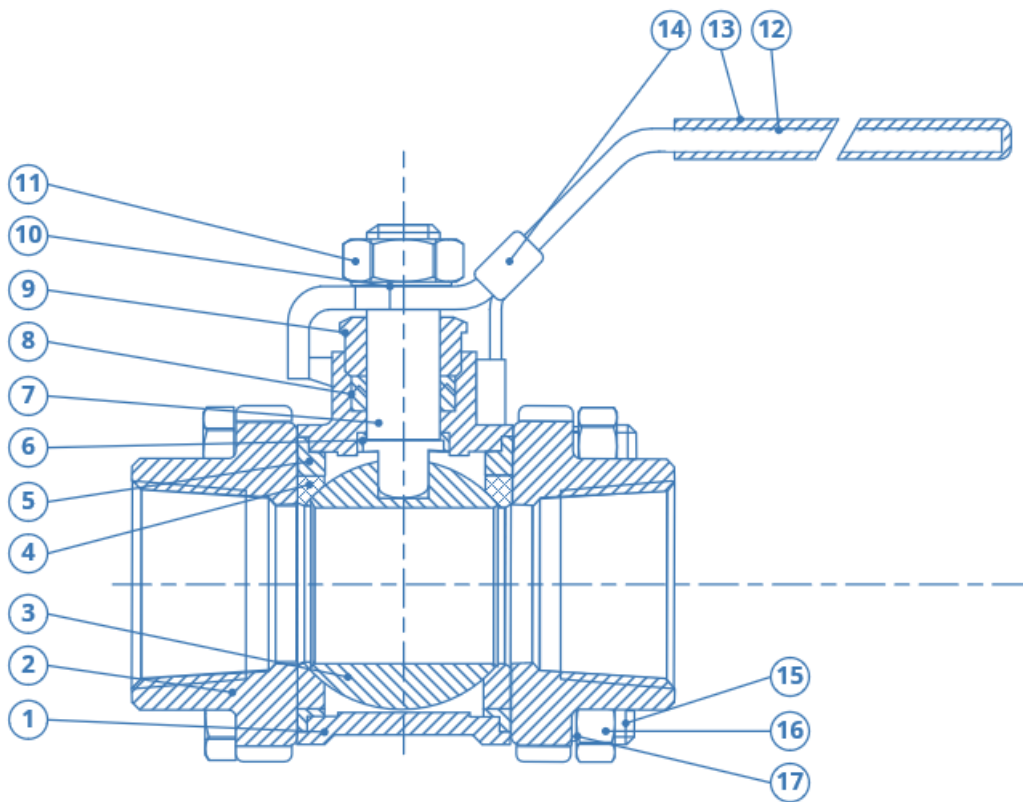


2 1/2" to 4"

PRESSURE V TEMPERATURE CHART



All information is sourced from our manufacturer's data and is intended for guidance only - Valves Online can accept no liability for changes, omissions or errors.



Technical and Parts List

No.	Part Name	Material	Qty
1	Body	CF8M	1
2	End Cap	CF8M	2
3	Ball	SUS316	1
4	Seat	RPTFE	2
5	Joint Gasket	PTFE	2
6	Stem Seal	PTFE	1
7	Stem	SUS316	1
8	Stem Packing	PTFE	1 Set
9	Gland	SUS304	1
10	Stem Washer	SUS304	1
11	Stem Nut	SUS304	1
12	Handle	SUS304	1
13	Handle Sleeve	Vinyl	1
14	Locking Device	SUS304	1
15	Bolt	SUS304	*
16	Bolt Nut	SUS304	*
17	Bolt Washer	SUS304	*

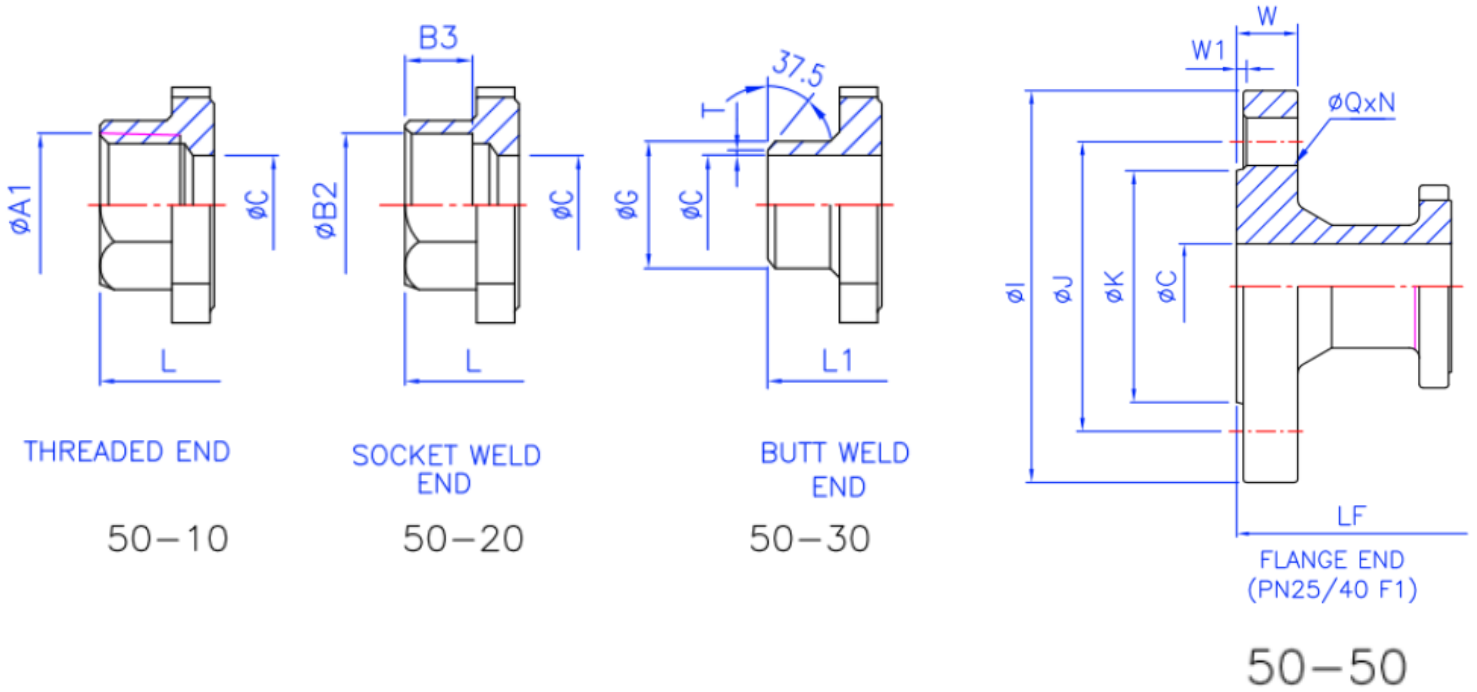
Specification

Pressure range	1/4" to 2" 1000 PSI 2 1/2" to 4" 800 PSI
Size	1/4" to 4"
Temperature range	- 20°C to + 200°C (see graph)
Movement	90 deg turn
Cycle life	1,000,000 operations

Repair Kits

Ordering Chart

Size	RPTFE
1/2"	99920214
3/4"	99920215
1"	99920216
1 1/4"	99920217
1 1/2"	99920218
2"	99920219
2 1/2"	99920220
3"	99920221
4"	99920222



SIZE	ØA1	ØB2	B3	ØC	ØI	ØJ	ØK	L	L1	ØG	LE	LF	T	ØQ	N	W	W1
1/4"	NPT	14.3	10	11.6				56.6	56.6	16.2	225		1.6				
3/8"		17.6	10	12.7				56.6	56.6	17.5	225		1.6				
1/2"	PT	21.9	10	15	95	65	45	65.7	65.7	22.7	225	130	1.6	14	4	16	2
3/4"		27.3	13	20	105	75	58	76.2	76.2	27.5	225	150	1.6	14	4	18	2
1"	DIN259	33.9	13	25	115	85	68	86.2	86.2	34	245	160	1.6	14	4	18	2
1 1/4"	DIN2999	42.8	13	32	140	100	78	102.8	102.8	42.7	255	180	1.6	18	4	18	2
1 1/2"		48.9	13	38	150	110	88	119.4	119.4	48.6	260	200	1.6	18	4	18	3
2"	ISO228	61.3	16	50	165	125	102	131.4	131.4	60.5	275	230	1.6	18	4	20	3
2 1/2"		ANSI 74 PN 76.9	16	65	185	145	122	164	164	76.3	334	290	2	18	8	22	3
3"	BSP	90	16	80	200	160	138	182.7	182.7	90	354	310	2	18	8	24	3
4"		115.5	20	100	235	190	162	235.6	236.2	116	365	350	3.5	22	8	24	3