

Mars Series 50 Carbon Steel Ball Valve



- Full Bore Design
- Various End Connections
- Insulated Lockable Lever Handle
- Pressure Rating 800/1 000 PSI
- Carbon Steel Body
- 25% Carbon Filled RPTFE seats
- 200°C
- ¼" - 4"

Description

A quality 3 piece full bore ball valve designed for manual operation and used to isolate and shut off flows especially suited for isolation of low temperature steam, condensate, gases and other liquids that are compatible with the valves construction. The Mars series 50 carbon steel ball valve offers cost effectiveness coupled with reliability. Fully maintainable with repair kits that are readily available. Body material in stainless steel with options in carbon steel. Carbon Filled RPTFE seats make this an ideal valve for high temperatures. The valves are screwed BSP parallel female ends as standard with various options for NPT thread, Socket weld and Butt weld (SCHD 40). This valve is not recommended for actuation. A lockable lever handle is supplied with the valve.



Description

Mars series 50 three piece full bore, fully maintainable manual ball valve. Lockable lever handle, CF8M carbon steel body and 25% carbon filled RPTFE seats. Temperature Range -20 ° C to 200 ° C. Various end connections. BSP, NPT, Socket Weld, Butt Weld SCHD 40.



Beschreibung

Mars Serie 50 dreiteiliger, vollständig wartbarer Kugelhahn mit vollem Durchgang. Abschließbarer Hebelgriff, CF8M-Gehäuse aus Kohlenstoffstahl und mit 25% Kohlenstoff gefüllte RPTFE-Sitze. Temperaturbereich -20 ° C bis 200 ° C. Verschiedene Endanschlüsse. BSP, NPT, Muffenschweißen, Stumpfschweißen SCHD 40.



Descripción

Válvula de bola manual de tres piezas de la serie Mars 50 de diámetro completo y totalmente mantenible. Manija de palanca bloqueable, cuerpo de acero al carbono CF8M y asientos RPTFE con relleno de carbono al 25%. Rango de temperatura -20 ° C a 200 ° C. Varias conexiones finales. BSP, NPT, Socket Weld, Butt Weld SCHD 40.

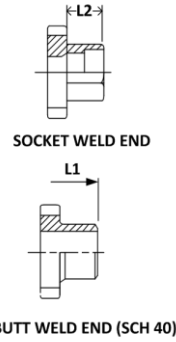
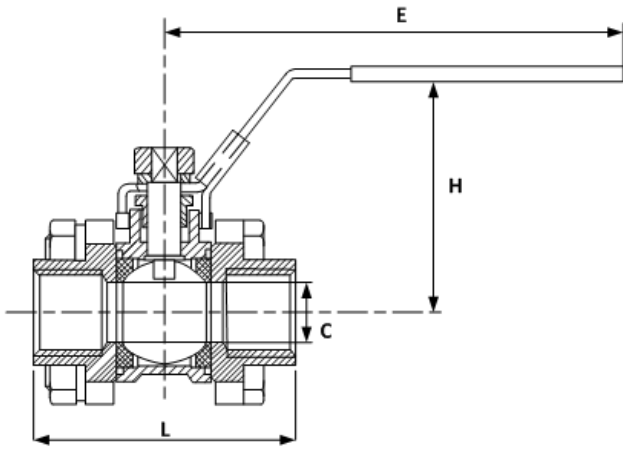


Description

Robinet à tournant sphérique manuel entièrement maintenable en trois pièces de la série 50 de la série Mars. Poignée à levier verrouillable, corps en acier au carbone CF8M et sièges en RPTFE à 25% de carbone. Plage de température -20 ° C à 200 ° C. Diverses connexions d'extrémité. BSP, NPT, Soudure à emboîtement, Soudure bout à bout SCHD 40.



**Carbon Filled RPTFE
Seats up to 200°C**



Screwed BSPP / NPT /
SW / BW. Schedule 40

Repair Kits Ordering Chart	
Size	RPTFE
1/2"	99920214
3/4"	99920215
1"	99920216
1 1/4"	99920217
1 1/2"	99920218
2"	99920219
2 1/2"	99920220
3"	99920221
4"	99920222

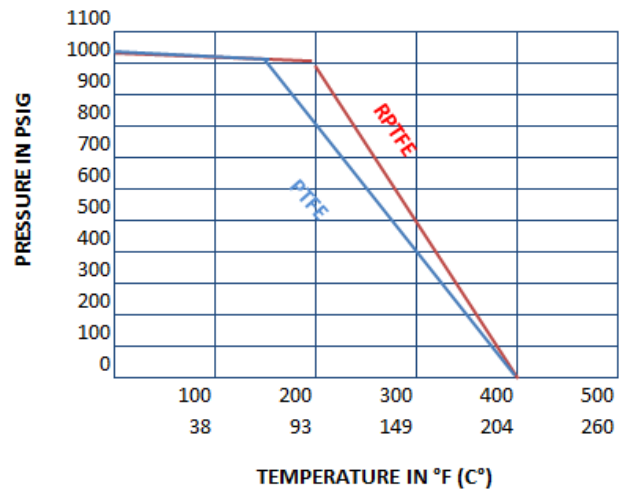
Technical and Parts List

No.	Part Name	Material	Qty
1	Body	WCB	1
2	End Cap	WCB	2
3	Ball	SUS316	1
4	Stem	SUS316	1
5	Stem Nut	SUS304	1
6	Stem Washer	SUS304	1
7	Handle	SUS304	1
8	Seat	25% Carbon Filled PTFE	2
9	Gland	SUS304	1

Specification

Pressure range	1/4" to 2" 1000 PSI 2 1/2" to 4" 800 PSI
Size	1/4" to 4"
Temperature range	minus 20° to + 200° (see graph)
Movement	90 deg turn
Cycle life	1,000,000 operations

PRESSURE V TEMPERATURE CHART

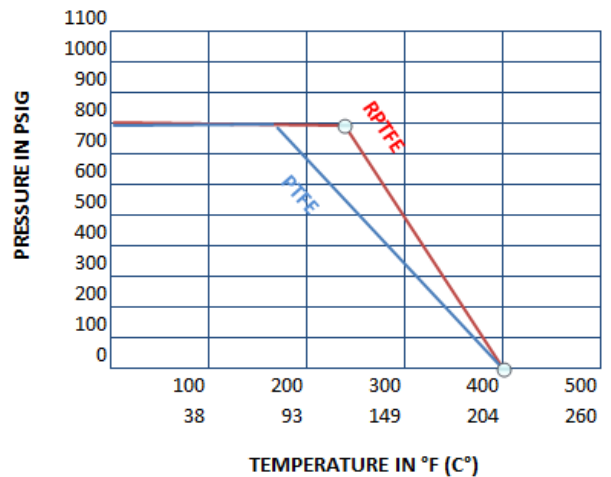


1/4" to 2"

Dimensions

Size	C	E	H	L	L1	L2	kg
1/4"	11.5	102	54	56.6	0	10	0.36
3/8"	12.7	102	54	56.6	70	10	0.34
1/2"	15	132	64	67.2	75	10	0.53
3/4"	20	132	67	76.2	90	13	0.7
1"	25	167	78	86.2	100	13	1.02
1 1/4"	32	167	80	102.8	110	13	1.62
1 1/2"	40	192	90	119.4	125	13	2.41
2"	50	192	98	131.4	150	16	3.66
2 1/2"	65	252	137	164	190	16	7.35
3"	80	252	147	182.7	220	16	10.21
4"	100	282	175	235.6	270	20	20.76

PRESSURE V TEMPERATURE CHART



2 1/2" to 4"