





SKU: BV5136

-  Mars Series 36SN 3 Way Hygienic Ball Valve – Clamp End
-  Mars Series 36SN 3 Way Hygienic -Kugelhahn - Klemmende
-  Mars Series 36SN 3 Válvula de bola de Higiene Camino - Clamp Fin
-  Mars Series 36SN 3 Way hygiénique Ball Valve - clamp Fin

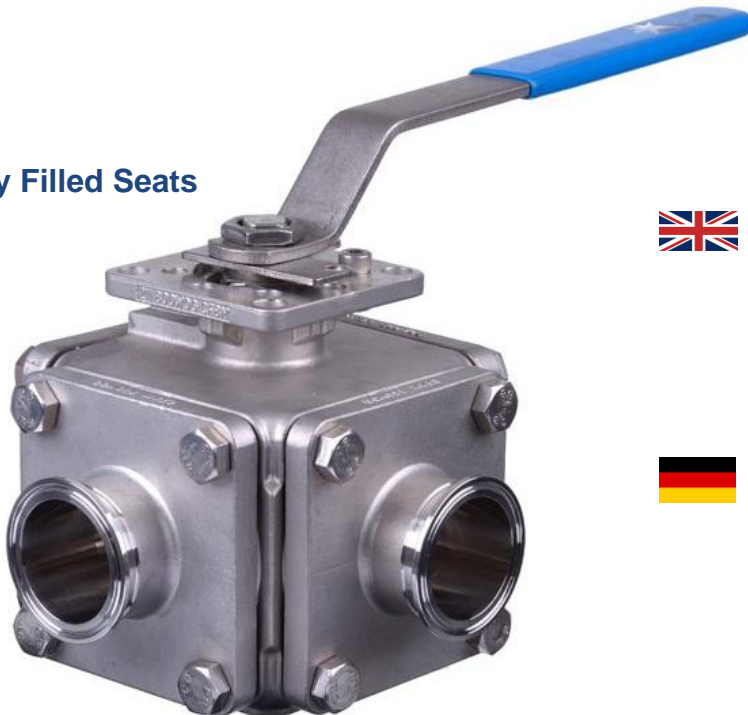
Valves™
ONLINE

- ½" - 4" 3 Way Sanitary Direct Mount Ball Valve
- ½" - 4" 3 Way Sanitär Direct Mount Kugelhahn
- ½" - 4" Válvula de 3 vías Sanitaria de montaje directo de la bola
- ½" - 4" 3 Way sanitaire montage direct Ball Valve

Hygienic 3 Way Full
Bore with Clamp
Ends

MARS Series 36SN
L and T Port

Cavity Filled Seats



- 800 PSI
- Temp 200°C
- ISO 5211 mounting pad
- Clamp ends
- Full bore

Description

3 way sanitary ball valve, offering high performance with easy installation. True tube full port offers no dead space in the through path. CF8M body, end caps and ball, with live loaded stem packing that compensates for wear and fluctuations. Fully encapsulated sanitary virgin PTFE seats. Manual lockable lever with Blue PVC sleeve fitted to a raised direct mounting pad which is also ideal for actuation.

Tri Clamp End connections
800 PSI working pressure
Temp -20°C to 200°C



Description

Volt Hygienic ultrapure full bore ball valve with cavity filled PTFE seats offering multiport 3 way L or T Ported configuration.

Clamp ends.

800 PSI working pressure

Temp -20°C to 200°C



Beschreibung

Volt Hygienic hochreinem Volldurchgang - Kugelhahn mit Hohlraum gefüllte PTFE- Sitze mit Multiport- 3-Wege- L- oder T- Ported - Konfiguration.

Klemmende .

800 psi Betriebsdruck

-20 ° C bis 200 ° C Temp



Descripción

Volt higiénico ultrapura paso total Válvula de bola con la cavidad llena de asientos de PTFE ofrecen multipuerto 3 vías configuración L o T con puerto .

Clamp Fin.

Presión de trabajo 800 PSI

Temperatura -20°C a 200°C



Description





Volt hygiénique ultrapure passage intégral vanne à boisseau sphérique avec cavité remplie sièges PTFE offrant multiport 3 voies configuration L ou T évent .

clamp Fin .

Pression de travail de 800 PSI

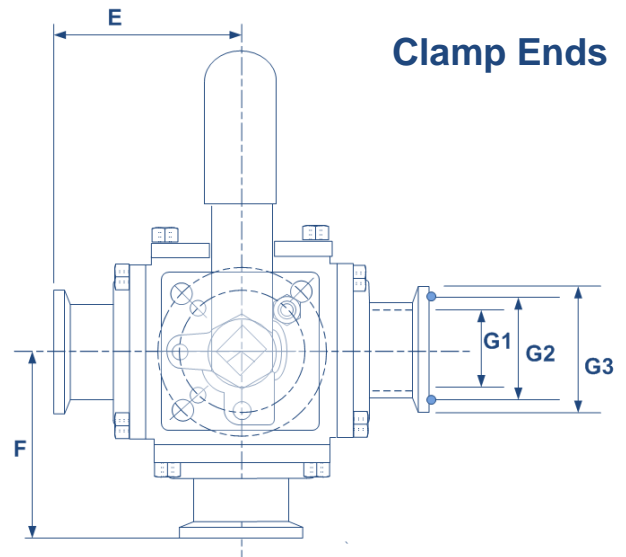
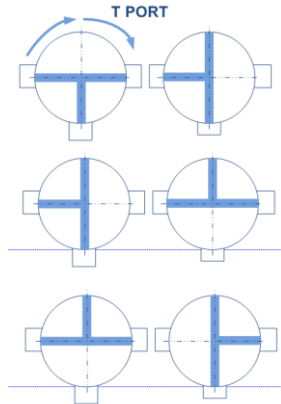
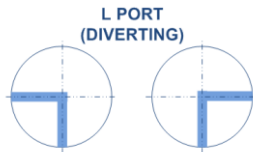
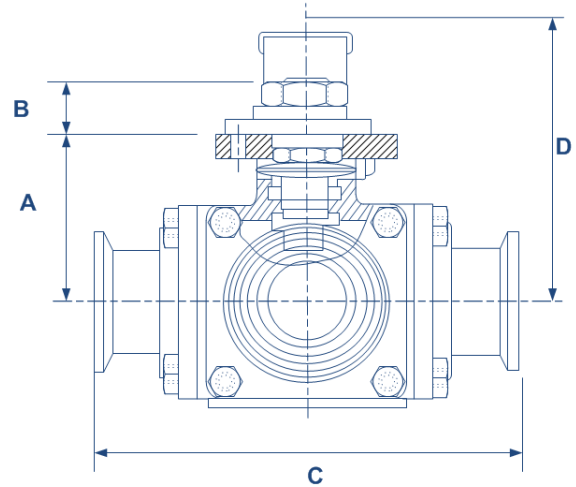
Temp -20°C à 200°C

Fully Maintainable
Easy to Actuate

-  Mars Series 36SN 3 Way Hygienic Ball Valve – Clamp End
-  Mars Series 36SN 3 Way Hygienic -Kugelhahn - Klemmende
-  Mars Series 36SN 3 Válvula de bola de Higiene Camino - Clamp Fin
-  Mars Series 36SN 3 Way hygiénique Ball Valve - clamp Fin

Clamp Ended Ultrapure 3 Way Ball Valve





Clamp ended 3 way ball valve with direct mount pad to ISO 5211, allowing direct mounting of pneumatic and electric actuators, no brackets and couplings needed, easy and low cost. Live loaded stem packing, blow out proof, Antistatic device fitted.



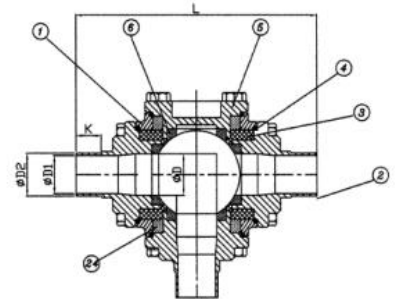
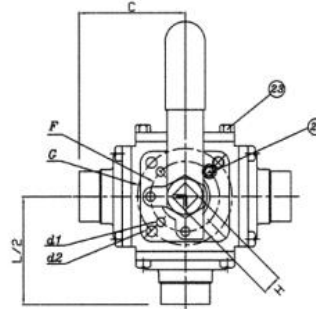
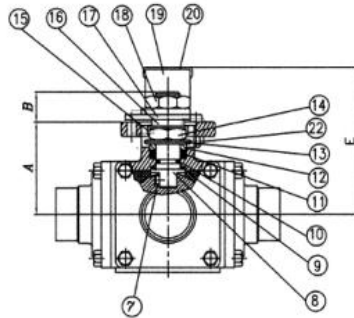
Clamp Ends

Dimensions 1/2" to 2"										Weight kg	Top Pad
Size	A	B	C	E	D	F	G1	G2	G3		
1/2"	38.5	11	133	130	62	66.5	9.6	21.7	25	2.02	F03/F04
3/4"	41	11	142	130	64	71	15.8	21.7	25	2.62	F04/F05
1"	55	14	160	165	89	80	22.1	43.5	50.4	3.71	F04/F05
1 1/2"	74	18	182	205	108	91	34.8	43.5	50.4	8.44	F05/F07
2"	93	23	216	325	140	108	47.5	56.5	63.9	15.36	F07/F10

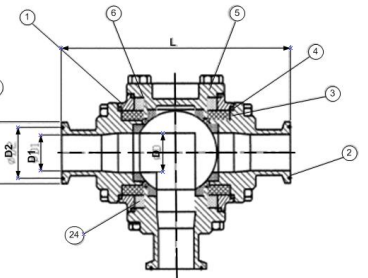
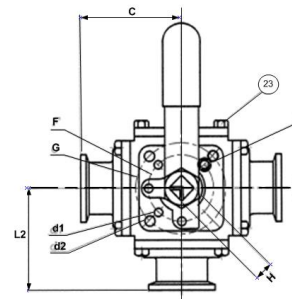
Dimensions 2 1/2" to 4"								Weight kg	Top Pad
Size	A	B	C	G1	G2	G3	F		
2 1/2"	144	25	241.3	62	60.2	77.4	120.65	20.66	F10
3"	162	25	279.4	76	72.9	91	139.7	27.34	F10
4"	182	25	330.2	96	97.4	119	165.1	49.74	F10

-  Mars Series 36SN 3 Way Hygienic Ball Valve
-  Mars Series 36SN 3 Way Hygienic -Kugelhahn
-  Mars Series 36SN 3 Válvula de bola de Higiene Camino
-  Mars Series 36SN 3 Way hygiénique Ball Valve

Ultrapure 3 Way Ball Valve



no	Name of Parts	Materials
1	T-Clamp End	A351 Gr. CF8M
2	Body	A351 Gr. CF8M
3	Ball & Stem	SS 316
4	Housing	RPTFE+Stainless
5	Seats	PTFE
6	Gasket	PTFE
7	O-Ring	VITON
8	Stem Packing	PTFE
9	Gland Washer	SS 304
10	Disk Washer	SS 301
11	Gland	SS 304
12	Handle Head	A351 Gr. CF8
13	Stop Pin	SS 304
14	Bolt	SS 304
15	Lever	Carbon Steel
16	Bland End	A351 Gr. CF8M
17	Connection Bolts	SS 304
18	Cavity Filler (A)	PTFE
19	Cavity Filler (B)	PTFE



The internal/external surface finish of 36SN

Ball: Exterior ≤ 0.5 Ra

Interior ≤ 0.5 Ra

Body: Exterior Casting surface

Interior 1.6~3.2 Ra

End cap: Exterior ≤ 1.6 Ra

Interior ≤ 0.5 Ra

Stem ≤ 0.8 Ra

Top Work Dimensions

Size	d1	d2	F	G	H	Top
1/2"	6	6	36	42	9	F03/F04
3/4"	6	6	38	42	9	F04/F05
1"	6	7.1	42	50	11	F04/F05
1 1/2"	7.1	9.2	50	70	14	F05/F07
2"	9.2	11.4	70	102	17	F07/F10
2 1/2"	11				22	F10
3"	11				22	F10
4"	11				22	F10

