



2 Piece, Mars Series 22, Direct Mount Stainless Steel Ball Valve.

- Direct Mount to ISO 5211
- Seats – Virgin PTFE
- BSPP & NPT End Connections
- Supplied Bare Shaft-Lockable Lever Options
- 1000 PSI Rated
- Low Torque High Flow

Description

A two piece full bore ball valve, compact in size yet reliable. Manufactured in stainless steel, with BSPP or NPT Thread.

The valve ensures tight shut off and is versatile over a wide range of flowing media. The valve is provided with an ISO 5211, direct mounting pad, that allows the actuator to be directly mounted, overcoming conventional mounting brackets. With the additional safety feature of an anti-blowout stem and low torque this valve offers both economy and versatility.

This valve provides safe operation in both general Industrial and Chemical applications. Non Maintainable. 1000PSI Rated.

ISO 5211 Mounting Top for easy Actuation
Full Bore with BSPP ISO 228/1 Threads
1000 PSI Rated to 3"



Description

Mars series 22 is a direct mountable ball valve having an ISO top which sets a new standard for ball valve / actuator mounting. Easily fitted to both pneumatic and electric actuators directly eliminating conventional mounting brackets and enhancing functionality and performance. 1000 PSI rated and up to 180°C Temperature. Screwed in BSP with the option of NPT threads. Seats Virgin PTFE.



Beschreibung

Mars Serie 22 ist ein direkt montierbarer Kugelhahn mit ISO-Aufsatz, der einen neuen Standard für die Montage von Kugelhähnen/Antrieben setzt. Einfache Montage an pneumatischen und elektrischen Antrieben, ohne dass herkömmliche Montagehalterungen direkt entfallen und die Funktionalität und Leistung verbessert werden 1000 PSI bewertet und bis zu 180 ° C Temperatur. Eingeschraubt in BSP mit optionalem NPT-Gewinde. Sitze reines PTFE.



Descripción

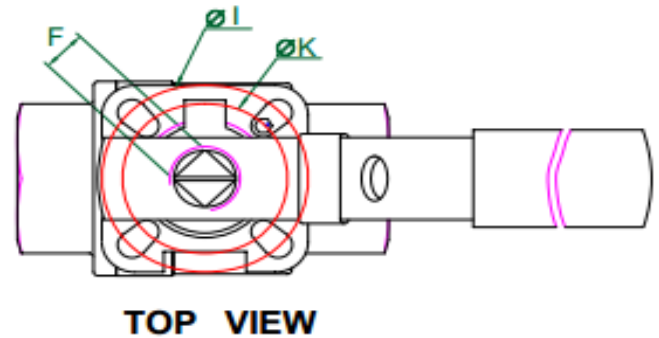
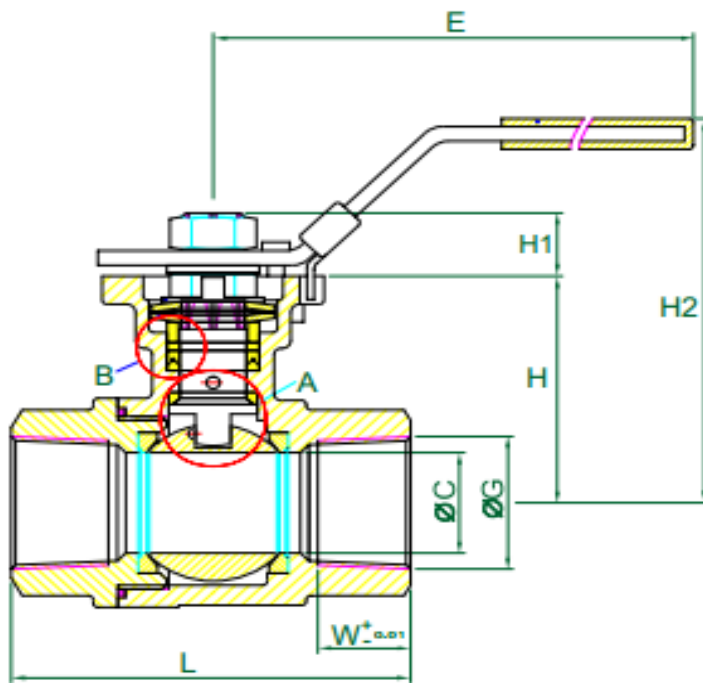
La serie 22 de Mars es una válvula de bola de montaje directo que tiene una parte superior ISO que establece un nuevo estándar para el montaje de válvulas de bola / actuadores. Se ajusta fácilmente a actuadores neumáticos y eléctricos, eliminando directamente los soportes de montaje convencionales y mejorando la funcionalidad y el rendimiento. 1000 PSI nominal y hasta 180°C de temperatura. Atornillado en BSP con opción de rosca NPT. Asientos Virgin PTFE.



Description

La série Mars 22 est une vanne à boisseau sphérique à montage direct avec un dessus ISO qui établit une nouvelle norme pour le montage de vannes à boisseau sphérique / actionneur. S'adapte facilement aux actionneurs pneumatiques et électriques, éliminant directement les supports de montage conventionnels et améliorant la fonctionnalité et les performances. 1000 PSI nominale et jusqu'à 180 ° C de température. Vissé en BSP avec l'option de filetages NPT. Sièges en PTFE vierge.

BV5018



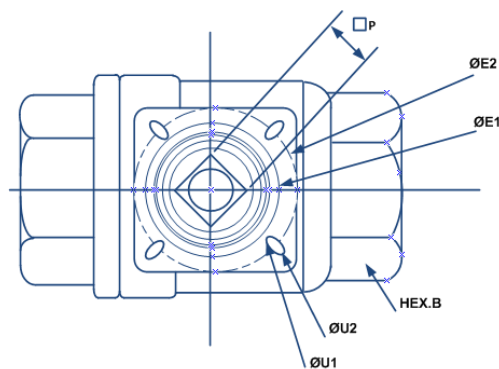
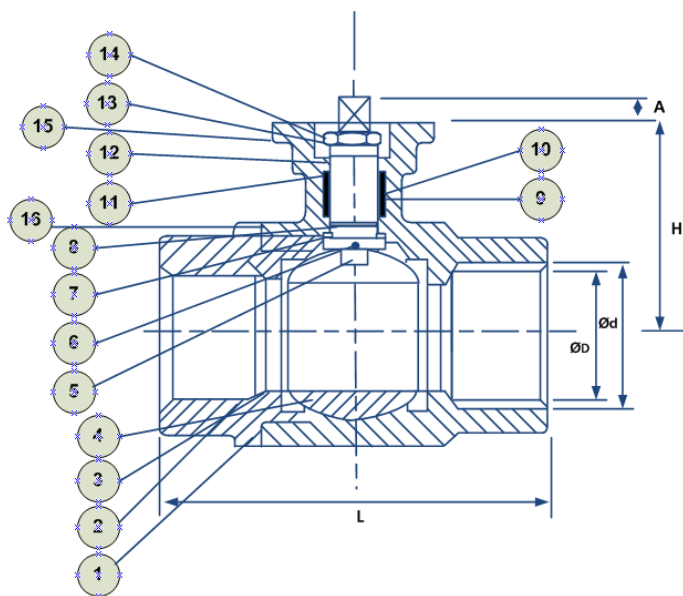
Dimensions

Size	ØC	E	H	H2	I	ØK	ØL	W	W(kg)
¼"	11.5	139	38.6	74	42	36	65	15	0.53
3/8"	12.5	139	38.6	74	42	36	65	15	0.51
½"	15	139	38.6	74	42	36	65	16	0.46
¾"	20	139	46.1	82	42	36	74.6	17	0.6
1"	25	165	56.6	96	50	42	88	21	1.09
1¼"	32	165	61	100	50	42	102	22	1.5
1½"	38	215	77.5	127	70	50	1100	22.5	2.55
2"	50	215	85.2	134	70	50	125	26	3.6
2½"	65	263	108.7	167	102	70	160.6	31	7.43
3"	80	313	117.4	175	102	70	178	34	10.35

Top Works & Torque Figures

Size	ISO	F Square	H1 Height	Torque Nm	Torque In-lb	Cv GMP	Kv M3/h
¼"	F03/F04	9	6.6	7	58	8	6.8
3/8"	F03/F04	9	6.6	7	58	8	6.8
½"	F03/F04	9	6.6	7	58	15	12.8
¾"	F03/F04	9	7.1	8	69	34	29.1
1"	F04/F05	11	10.9	14	127	56	47.8
1¼"	F04/F05	11	10.9	18	161	85	72.6
1½"	F05/F07	14	13.9	26	230	125	106.8
2"	F05/F07	14	13.9	36	323	250	213.7
2½"	F07/F10	17	16.8	55	484	320	273.3
3"	F07/F10	17	18.1	87	772	580	495.3

All information is sourced from our manufacturer's data and is intended for guidance only - Valves Online can accept no liability for changes, omissions or errors.



Technical and Parts List

No.	Part Name	Material	Qty
1	Body	ASTM A351Gr. CF8M	1
2	Cap	ASTM A351Gr. CF8M	1
3	Ball	SUS316	1
4	Stem	SUS316	1
5	Stem Nut	SUS304	1
6	Stem Washer	SUS304	1
7	Handle	SUS304	1
8	Seat	PTFE	2
9	Gland Bush	SUS304	1
10	Stem Packing	RPTFE	1
11	Gland Packing	PTFE	1
12	Handle Sleeve	VINYL	1
13	Joint Gasket	PTFE	1
14	Locking Device	SUS304	1
15	Antistatic Device	SUS304	1

Specification

Pressure range	1000 PSI
Size	1/4" to 3"
Temperature range	minus 20° to + 180°
Movement	90 deg turn
Cycle life	1,000,000 operations
Port	Full Bore

PRESSURE V TEMPERATURE CHART

