



2 Piece Stainless Steel Ball Valve - Mars Series 20 - 40

- Full Bore Design
- BSP and NPT Thread Options
- Insulated Grip and Lockable Lever Handle
- Up to 1" 2000 PSI, 1¼" plus 1500 PSI Rated
- Blow-out Proof stem
- 2 Piece Design
- ATEX Approved

Description

A heavy duty reliable full bore, two piece ball valve. Compact and manufactured in stainless steel up to 2000 PSI with BSP or NPT Thread. Reinforced PTFE seats ensures tight shut off and is versatile over a wide range of flowing media. Fitted complete with insulated grip handle, with the additional safety feature of an anti-blowout stem. Investment cast with low torque. This valve provides safe operation in both general Industrial and Chemical applications. Non Maintainable.



Description

Supplied in both BSP and NPT the 20 is a reliable full bore, two piece ball valve. Manufactured in stainless steel with BSP or NPT threads, reinforced PTFE seats offering low torque. This valve provides safe operation in both general industrial and chemical applications. Non Maintainable. Lockable handle.



Beschreibung

Sowohl in BSP als auch in NPT erhältlich. Der 20 ist ein zuverlässiger zweiteiliger Kugelhahn mit vollem Durchgang. Hergestellt aus Edelstahl mit BSP- oder NPT-Gewinde und verstärkten PTFE-Sitzen mit niedrigem Drehmoment. Dieses Ventil bietet einen sicheren Betrieb sowohl in allgemeinen industriellen als auch in chemischen Anwendungen. Nicht wartbar. Abschließbarer Griff.



Descripción

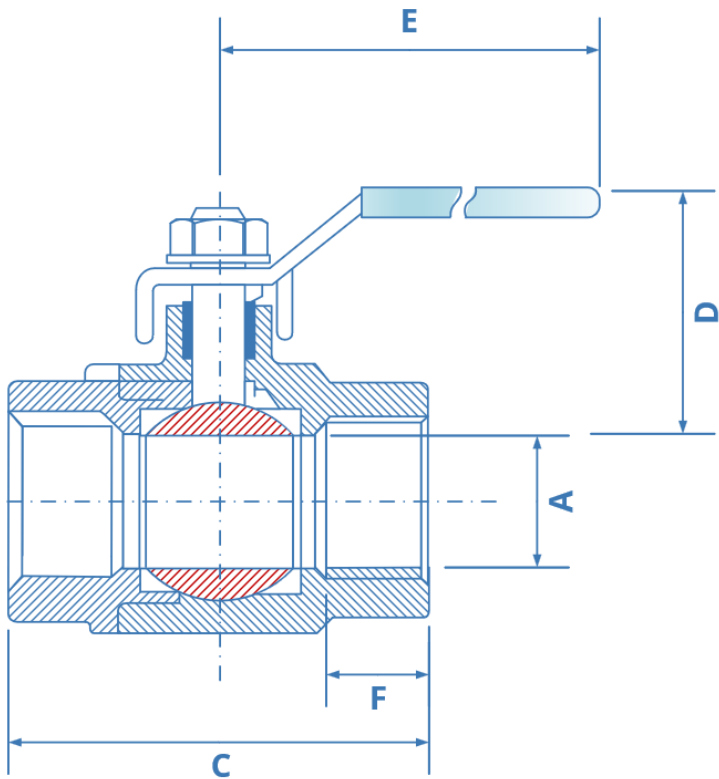
Suministrado tanto en BSP como en NPT, el 20 es una válvula de bola confiable de dos piezas de diámetro completo. Fabricado en acero inoxidable con roscas BSP o NPT, asientos de PTFE reforzado que ofrecen un bajo par. Esta válvula proporciona un funcionamiento seguro en aplicaciones industriales y químicas generales. No mantenible. Manija con cerradura.



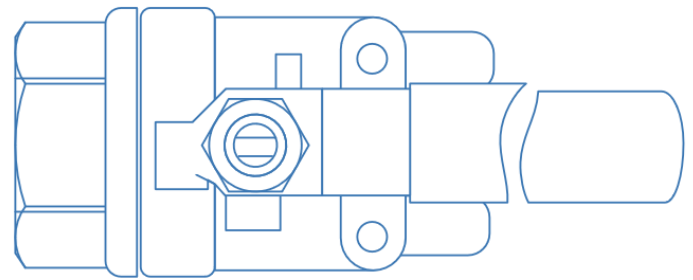
Description

Fourni à la fois en BSP et en NPT, le 20 est une vanne à boisseau sphérique en deux pièces, à passage intégral. Fabriquée en acier inoxydable avec filetage BSP ou NPT, sièges en PTFE renforcé offrant un faible couple. Cette vanne offre un fonctionnement sûr dans les applications industrielles et chimiques générales. Non maintenable. Poignée verrouillable.





**Mars Series 20 - 40
2 Piece Ball Valve
BSP & NPT**



Dimensions

Size	A	C	D	E	F1	F	kg
1/4"	11.5	55	50	100	15	BSP or NPT	0.23
3/8"	12.5	55	50	100	15	BSP or NPT	0.23
1/2"	15	65	60	130	16	BSP or NPT	0.38
3/4"	20	75	64	130	17	BSP or NPT	0.52
1"	25	88	71	165	20.4	BSP or NPT	0.92
1 1/4"	32	102	78	165	22	BSP or NPT	1.3
1 1/2"	40	110	86	190	22.5	BSP or NPT	1.9
2"	50	125	95	190	26	BSP or NPT	3.12

Technical and Parts List

No.	Part Name	Material	Qty
1	Body	ASTM A351Gr. CF8M	1
2	Cap	ASTM A351Gr. CF8M	1
3	Ball	SUS316	1
4	Stem	SUS316	1
5	Stem Nut	SUS304	1
6	Stem Washer	SUS304	1
7	Handle	SUS304	1
8	Seat	RPTFE	2
9	Gland	SUS304	1
10	Stem Packing	PTFE	1
11	Thrust Washer	PTFE	1
12	Handle Sleeve	VINYL	1
13	Joint Gasket	PTFE	1
14	Locking Device	SUS304	1

Specification

Pressure range	2000 PSI up to 1" and 1 1/4"-2" 1500PSI
Size	1/4" to 2"
Temperature range	minus 20° to + 200°C (see graph)
Movement	90 deg turn
Cycle life	1,000,000 operations

Pressure v Temperature Chart

