



## 1 Piece Stainless Steel Ball Valve – Reduced Bore Mars Series 10-10

- Compact Robust Design
- ¼" to 2"
- Blow-out Proof stem
- Insulated Grip Lockable Lever Handle
- 800 PSI Rated
- Screwed BSP or NPT
- Reduced Bore
- PTFE Seats and Seals

### Description

Supplied in both BSP and NPT the Mars series 10-10 is a reliable reduced bore, one piece ball valve. Investment cast with low torque. This valve provides safe operation in both general industrial and chemical applications. Used to shut off medium flows on a wide range of liquid and gaseous duties. Typical applications include drain and blow down, gauge isolation and test points. Non Maintainable.  
Latch Lock handle



### Description

The series 10-10 is a one piece ball valve constructed in 316 stainless steel. Supplied in BSPP or NPT threads, it has a reduced bore and PTFE seats and seals. Rated to 800 PSI. Designed for On / Off operation, it is economical and reliable as you would expect from the Mars Valve Range.



### Beschreibung

Die Serie 10-10 ist ein einteiliger Kugelhahn aus Edelstahl 316. Es wird in BSPP- oder NPT-Gewinden geliefert und hat eine reduzierte Bohrung sowie PTFE-Sitze und -Dichtungen. Bewertet bis 800 PSI. Es wurde für den Ein- und Ausschaltbetrieb entwickelt und ist wirtschaftlich und zuverlässig, wie Sie es von der Mars Valve Range erwarten.



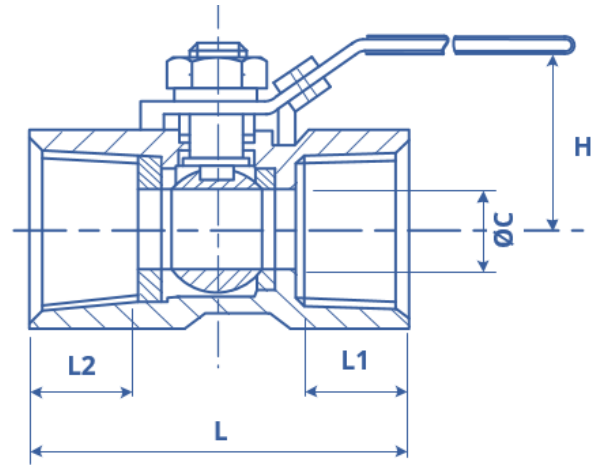
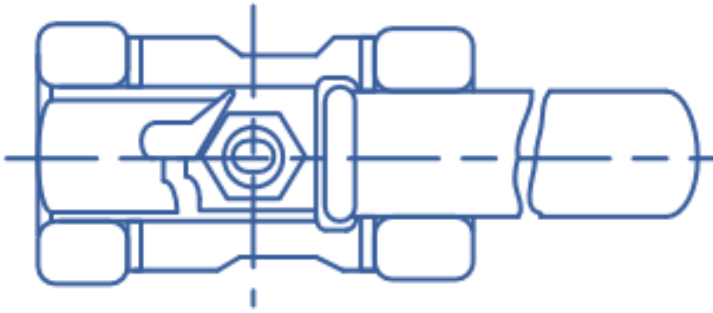
### Descripción

La serie 10-10 es una válvula de bola de una pieza construida en acero inoxidable 316. Se suministra en roscas BSPP o NPT, tiene un orificio reducido y asientos y sellos de PTFE. Calificado a 800 PSI. Diseñado para funcionamiento con./desc., Es económico y confiable como cabría esperar del rango de la válvula de Marte.



### Description

La série 10-10 est une vanne à boisseau sphérique monobloc construite en acier inoxydable 316. Fourni en filetage BSPP ou NPT, il est doté de sièges et de joints en PTFE à alésage réduit. Évalué à 800 PSI. Conçu pour un fonctionnement tout ou rien, il est économique et fiable, comme on peut s'y attendre de la gamme de vannes Mars.



## Dimensions

Size	ØC	E	H	L1	L2	L	W(kg)
1/4"	5	64	35	11	7	39	0.07
3/8"	7	70	37	11	8	44	0.1
1/2"	9.2	90	44	16	14	56	0.16
3/4"	12.5	90	47	15	11	58	0.25
1"	15	103	50	17	17	71	0.43
1 1/4"	20	103	57	19	17	78	0.7
1 1/2"	25	127	69	19	17	83	0.83
2"	32	127	75	23	20	100	1.5

## Technical - Valve

Body material	CF8M (316) Stainless Steel
Ball	316 Stainless Steel
Seat	PTFE
Stem Seals	PTFE
Handle	St St with insulated grip and locking plate
Bore	Reduced Port
Cap	CF8M (316) Stainless Steel
Gland	304 Stainless Steel
Stem Packing	PTFE
Stem Nut and washer	304 Stainless Steel
Ends	Screwed BSPP and NPT as standard. BSPT on request.

## Specification

Pressure range	800 PSI WOG
Size	1/4" (DN8) to 2" (DN50)
Temperature range	Minus 20°C to + 180°C
Movement	90 Degree turn
Cycle Life	1,000,000 operations

