

LS5108

Valves[™]
ONLINE



Mars Series 22 2 Piece Ball Valve with Limit Switchbox

- Direct Mounting Pad
- 2 Piece Full Bore Design
- Lockable Handle
- BSP and NPT End Connections
- Switches in Open and Closed Position

Description

A two piece full bore ball valve, compact in size yet reliable. Manufactured in stainless steel, with BSP or NPT Thread. The valve ensures tight shut off and is versatile over a wide range of flowing media. The valve is provided with a direct mounting pad that allows fitting of a VO210 Limit Switchbox IP67 – SPDT 250V – 16A. The valve is operated via a lockable steel insulated handle which is linked to the switchbox. Open and closed optical indication is given on the beacon dome top. The valve has an additional safety feature of an anti-blowout stem coupled with low torque this combination offers both economy and versatility. This valve provides safe operation in both general Industrial and Chemical applications. Non Maintainable. 1000PSI Rated.



Description

Mars series 22 is a direct mountable ball valve having an ISO top which sets a new standard for ball valve switchbox mounting, eliminating conventional mounting brackets and enhancing functionality and performance. 1000 PSI rated and up to 180°C Temperature. Screwed in BSP with the option of NPT threads. Seats Virgin PTFE. Ideal for On/Off operation and fitted with the benefit of a limit switchbox with electrical SPDT V3 switches and Optical position indicator. All housed in a IP67 weatherproof housing.



Beschreibung

Mars Serie 22 ist ein direkt montierbarer Kugelhahn mit einem ISO-Oberteil, der einen neuen Standard für die Montage von Kugelhahnschaltkästen setzt, herkömmliche Montagehalterungen überflüssig macht und Funktionalität und Leistung verbessert. 1000 PSI und bis zu 180°C Temperatur. BSP mit optionalem NPT-Gewinde eingeschraubt. Sitze Virgin PTFE. Ideal für Ein / Aus-Betrieb und ausgestattet mit einer Endschalterbox mit elektrischen SPDT V3-Schaltern und optischer Positionsanzeige. Alle in einem wetterfesten IP67-Gehäuse untergebracht.



Descripción

La serie 22 de Mars es una válvula de bola de montaje directo que tiene una parte superior ISO que establece un nuevo estándar para el montaje de la caja de interruptores de la válvula de bola, eliminando los soportes de montaje convencionales y mejorando la funcionalidad y el rendimiento. 1000 PSI y temperatura de hasta 180°C. Atornillado en BSP con la opción de roscas NPT. Asientos Virgin PTFE. Ideal para la operación de encendido / apagado y equipado con la ventaja de una caja de interruptores de límite con interruptores eléctricos SPDT V3 e indicador óptico de posición. Todo alojado en una carcasa resistente a la intemperie IP67.



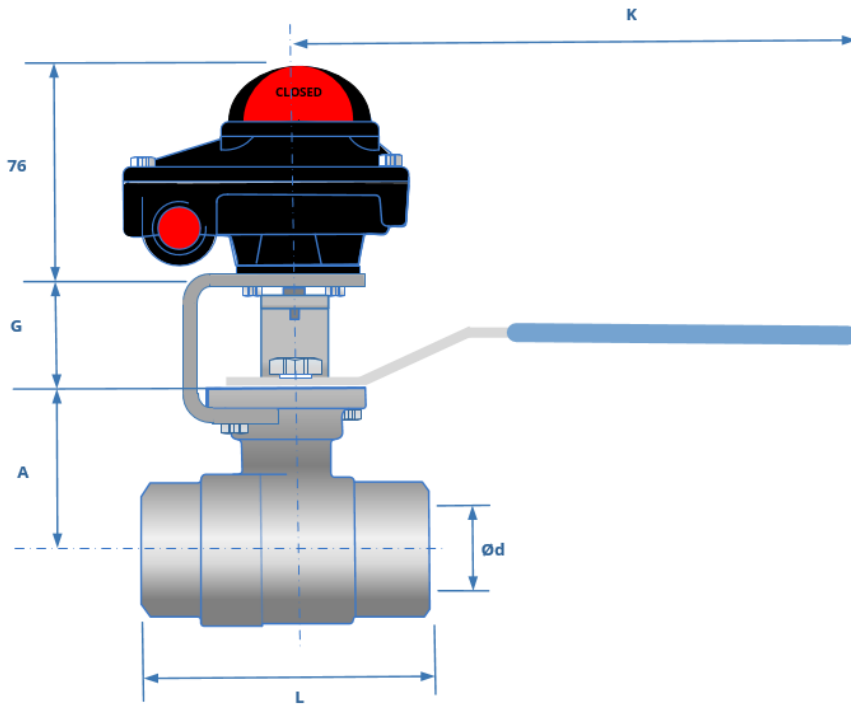
Description

La série 22 de Mars est un robinet à boisseau sphérique à montage direct ayant un dessus ISO qui établit une nouvelle norme pour le montage du boîtier de commande du robinet à boisseau sphérique, éliminant les supports de montage conventionnels et améliorant la fonctionnalité et les performances. 1000 PSI nominale et jusqu'à 180 ° C de température. Vissé en BSP avec possibilité de filetage NPT. Sièges Virgin PTFE. Idéal pour un fonctionnement tout ou rien et équipé d'un coffret de fin de course avec interrupteurs électriques SPDT V3 et indicateur de position optique. Le tout logé dans un boîtier étanche IP67.



All information is sourced from our manufacturer's data and is intended for guidance only - Valves Online can accept no liability for changes, omissions or errors.

LS5108



Dimensions shown are for guidance only

VALVE

- Stainless Steel
- Lockable Handle
- Sizes from 1/2" - 2" BSP/NPT
- Full Bore
- PTFE seats
- Lever Operated

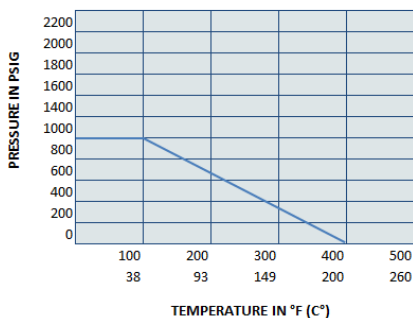
SWITCHBOX

- Die Cast Aluminium enclosure
- IP67 Enclosure
- Polyester powder coating (black) finish
- Stainless steel Namur shaft
- 2x M20 cable entries
- 2x SPDT mechanical limit switches
- Voltage/Amps 240V AC/16A, 125V AC/16A, 250VDC/0.3A, 125VDC/0.6A and 30VDC/10A
- Captive cover bolts
- -20°C to + 80°C Ambient temperature

Dimensions

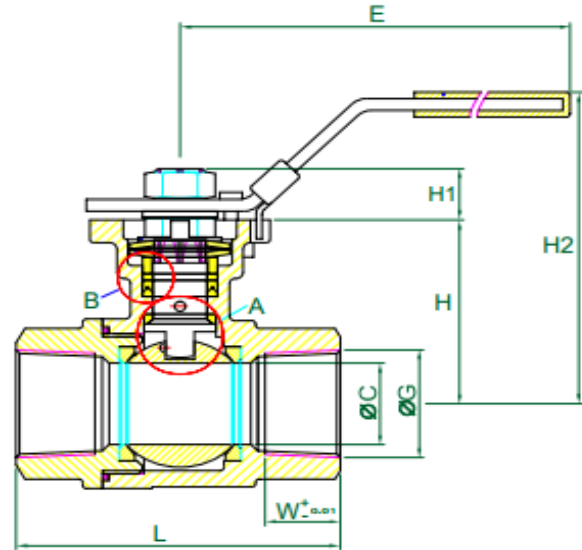
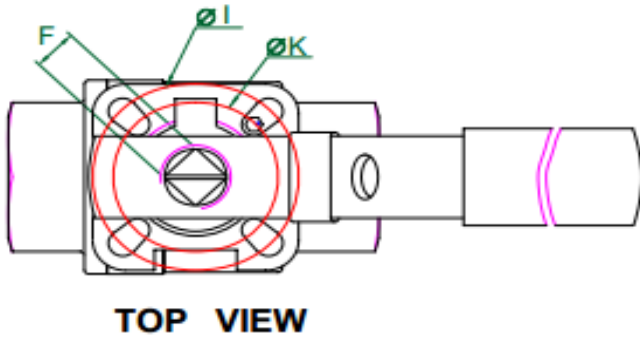
Size	A	G	K	Ød	L	W(kg)
1/2"	38.6	30/50	139	15	65	1.03
3/4"	46.1	30/50	139	20	74.6	1.1
1"	56.6	30/50	165	25	88	1.69
1 1/4"	61	30/50	165	32	102	2.1
1 1/2"	77.5	30/50	215	38	110	3.05
2"	85.2	30/50	215	50	125	4.1

PRESSURE V TEMPERATURE CHART



All information is sourced from our manufacturer's data and is intended for guidance only - Valves Online can accept no liability for changes, omissions or errors.

LS5108



Dimensions

Size	ØC	E	H	H2	I	ØK	ØL	W	W(kg)
¼"	11.5	139	38.6	74	42	36	65	15	0.53
3/8"	12.5	139	38.6	74	42	36	65	15	0.51
½"	15	139	38.6	74	42	36	65	16	0.46
¾"	20	139	46.1	82	42	36	74.6	17	0.6
1"	25	165	56.6	96	50	42	88	21	1.09
1 1/4"	32	165	61	100	50	42	102	22	1.5
1 ½"	38	215	77.5	127	70	50	1100	22.5	2.55
2"	50	215	85.2	134	70	50	125	26	3.6
2 1/2"	65	263	108.7	167	102	70	160.6	31	7.43
3"	80	313	117.4	175	102	70	178	34	10.35

Top Works & Torque Figures

Size	ISO	F Square	H1 Height	Torque Nm	Torque In-lb	Cv GMP	Kv M3/h
¼"	F03/F04	9	6.6	7	58	8	6.8
3/8"	F03/F04	9	6.6	7	58	8	6.8
½"	F03/F04	9	6.6	7	58	15	12.8
¾"	F03/F04	9	7.1	8	69	34	29.1
1"	F04/F05	11	10.9	14	127	56	47.8
1 1/4"	F04/F05	11	10.9	18	161	85	72.6
1 ½"	F05/F07	14	13.9	26	230	125	106.8
2"	F05/F07	14	13.9	36	323	250	213.7
2 1/2"	F07/F10	17	16.8	55	484	320	273.3
3"	F07/F10	17	18.1	87	772	580	495.3

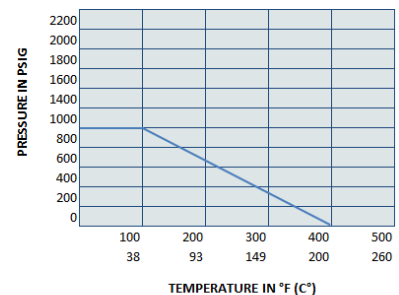
Technical and Parts List

No.	Part Name	Material	Qty
1	Body	ASTM A351Gr. CF8M	1
2	Cap	ASTM A351Gr. CF8M	1
3	Ball	SUS316	1
4	Stem	SUS316	1
5	Stem Nut	SUS304	1
6	Stem Washer	SUS304	1
7	Handle	SUS304	1
8	Seat	PTFE	2
9	Gland Bush	SUS304	1
10	Stem Packing	RPTFE	1
11	Gland Packing	PTFE	1
12	Handle Sleeve	VINYL	1
13	Joint Gasket	PTFE	1
14	Locking Device	SUS304	1
15	Antistatic Device	SUS304	1

Specification

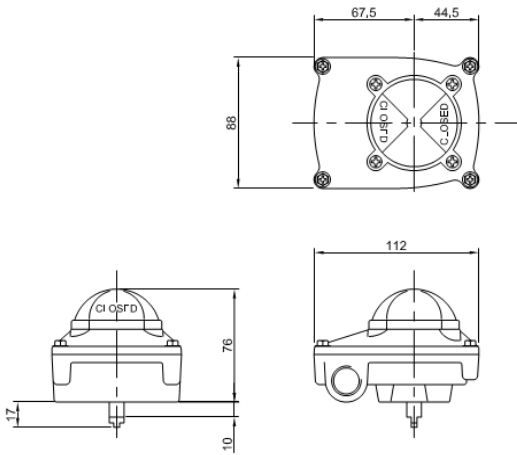
Pressure range	1000 PSI
Size	1/4" to 3"
Temperature range	minus 20° to + 180°
Movement	90 deg turn
Cycle life	1,000,000 operations
Port	Full Bore

PRESSURE V TEMPERATURE CHART



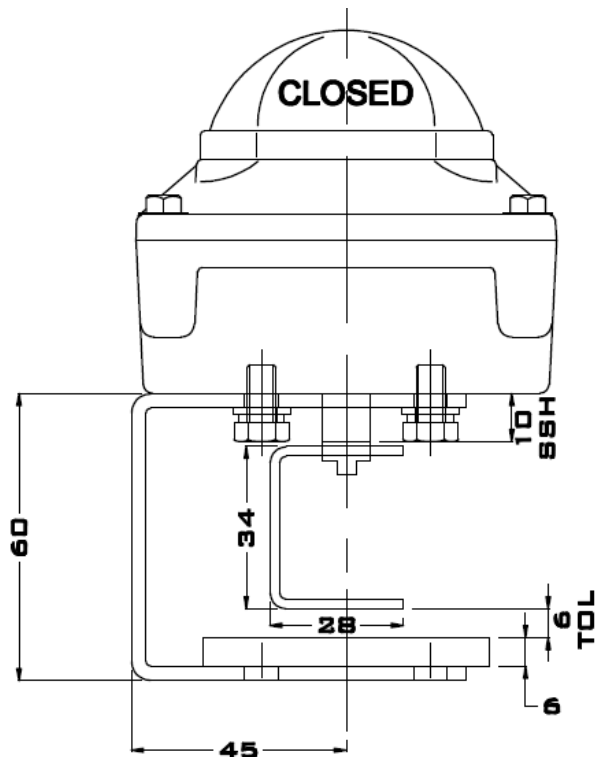
All information is sourced from our manufacturer's data and is intended for guidance only - Valves Online can accept no liability for changes, omissions or errors.

LS5108



SPECIFICATION

- Die Cast Aluminium enclosure
- IP67 Enclosure
- Polyester powder coating (black) finish
- Stainless steel Namur shaft
- 2x M20 cable entries
- 2x SPDT mechanical limit switches
- Voltage/Amps 240V AC/16A, 125V AC/16A, 250VDC/0.3A, 125VDC/0.6A and 30VDC/10A
- Captive cover bolts
- -20°C to + 80°C Ambient temperature



OPTIONS

Atex approved EXD
Proximity sensors



WRAS
WATER REGULATORY AUTHORITY SCHEME

All information is sourced from our manufacturer's data and is intended for guidance only - Valves Online can accept no liability for changes, omissions or errors.