



## Series 88 Electric Actuated Stainless 3 Piece Ball Valve

- Various end Connections
- Various Voltages
- Power Closed / Open
- 2000 PSI Rated
- Manual Override



### Description

A Heavy Duty reduced bore high performance ball valve in stainless steel,, fitted with a powerful IP65 electric actuator. Suitable for slightly aggressive media, make this combination a reliable and compact unit.

1/4" to 1" - 2000 psi.  
1 1/4" to 2" - 1500 psi.  
2 1/2" to 4" - 1000 psi.



### Beschreibung

Ein Heavy Duty reduziert Bohrung Hochleistungskugelhahn aus Edelstahl mit einem leistungsfähigen IP65 elektrischer Antrieb montiert . Geeignet für leicht aggressive Medien, machen diese Kombination eine zuverlässige und kompakte Einheit.

1/4 "bis 1" - 2000 psi .  
1 1/4 "bis 2" - 1500 psi .  
2 1/2 "bis 4" - 1000 psi .



### Descripción

Un paso reducido válvula de servicio pesado de alto rendimiento bola en acero inoxidable ,, equipado con un potente actuador eléctrico IP65 . Adecuado para medios poco agresivos , hacen de esta combinación una unidad fiable y compacto.

1/4 "a 1" - 2000 psi.  
1 1/4 "a 2" - 1500 psi.  
2 1/2 "a 4" - 1000 psi.



### Descripción

Un heavy duty alésage réduit haute performance vanne à bille en acier inoxydable ,, équipée d'un actionneur électrique puissant IP65 . Convient pour les médias peu agressif , faire de ce rapprochement une unité fiable et compact.

1/4 "à 1" - 2000 psi .  
1 1/4 "à 2" - 1500 psi .  
2 1/2 "à 4" - 1000 psi .

### Description

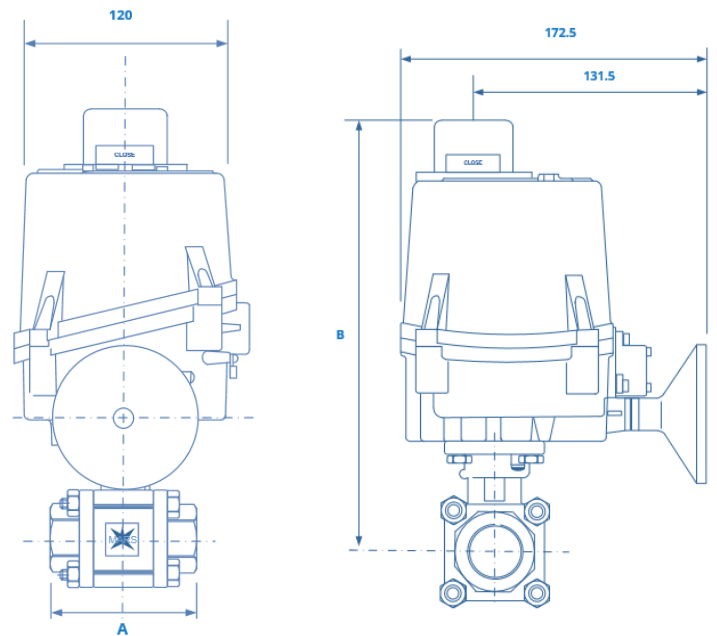
A perfect combination of series 88 heavy duty reduced bore ball valve and a powerful HQ electric actuator. The valve is a stainless steel 3 piece, heavy duty, fully maintainable ball valve with carbon filled PTFE seats (fire safe seats on request) The end connections are BSPP, BSPT, NPT, Socket and Butt (SCH40) weld. The actuator can be supplied with various control options and a wide range of voltages. This unit offers as standard, limit switches, condensation heaters, optical indicator and manual override.

## HQ005 Model

HQ005 standard actuator fitted to our full bore 1000 psi rated stainless steel ball valve offers On/Off control (power to open and power to close) for automatic isolation. Wiring diagrams are in the lid of the actuator and online. This actuator fits neatly onto the three piece valve and offers a perfect match, giving economy, performance and long life.

## Features

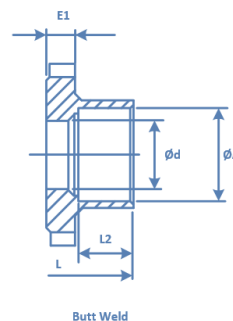
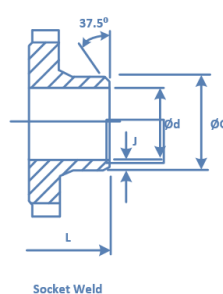
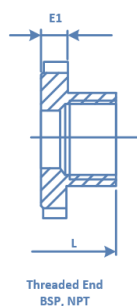
- Multi voltage design (Single phase & 24V)
- High corrosion resistance, anodized & painted housing
- 4 off Limit switches
- Torque output: 50 Nm
- low current, long-life actuator due to unique brushless DC motor ensuring high reliability
- 2 off M20 cable entries
- IP67 weatherproof enclosure
- F03/F04/F05/FO7 mounting base with 14mm Star drive
- Captive cover bolts
- Visual beacon indicator & LED lamps
- 70% Duty Rating (on/off only)
- Declutchable manual override handwheel
- Electronic torque limiter



Size Reduced Bore	Size Full Bore	Electric Actuator Reduced Bore	Electric Actuator Full Bore	A	B	W (kg)
	1/4"	HQ005	HQ005	63.7	224.1	3.06
	3/8"	HQ005	HQ005	63.7	224.1	3.08
	1/2"	HQ005	HQ005	65.7	224.1	3.11
3/4"		HQ005	HQ005	76.2	230	3.49
1"	3/4"	HQ005	HQ005	86.2	238.6	3.87
1.1/4"	1"	HQ005	HQ005	102.8	242.9	4.64
1.1/2"	1.1/4"	HQ005	HQ005	119.4	259.5	5.6
2"	1.1/2"	HQ005	HQ008	131.4	267.2	6.4

## Dimensions

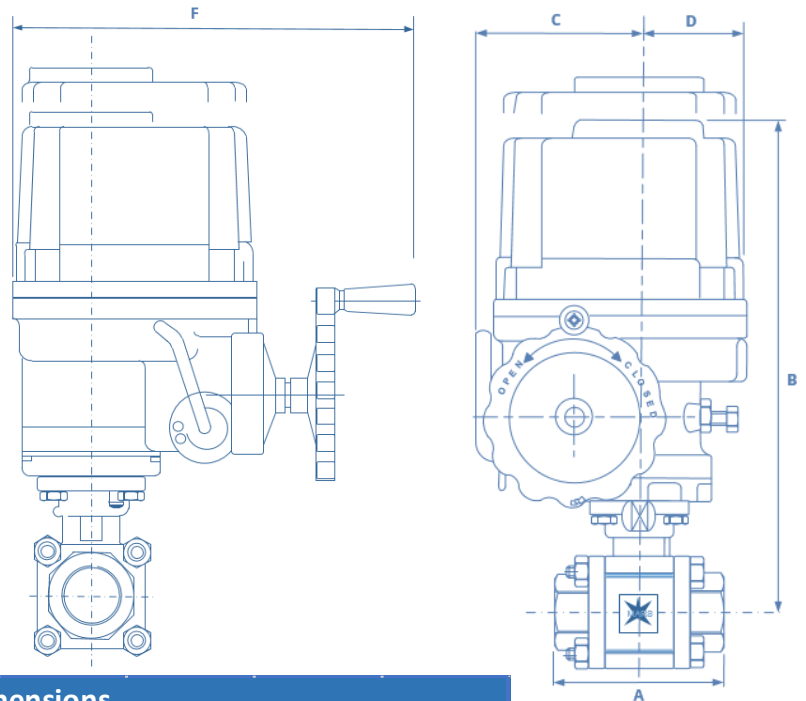
VALVE	L	L2
1/4"	63.7	70
3/8"	63.7	70
1/2"	65.7	75
3/4"	76.2	90
1"	86.2	100
1 1/4"	102.8	110
1 1/2"	119.4	125
2"	131.4	150
2 1/2"	164	190
3"	182.7	220
4"	235.6	270



**Connection  
Options**  
**BSP**  
**BSPT**  
**NPT**  
**Socket Weld**  
**Butt Weld**

HQ008 to HQ015

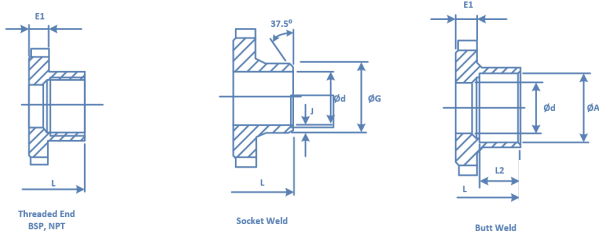
HQ008 – HQ015 Electric Actuator is a much more robust unit and offers On/Off control (power to open and power to close) for automatic isolation. Wiring diagrams are in the lid of the actuator and also online. This actuator fits neatly onto the three piece full bore ball valve and offers a perfect match, giving performance and longlife.



Reduced Bore Dimensions								
Size	Model	A	B	C	D	F	G	W (kg)
2 1/2"	HQ008	145	322.7	100	70	208	120	15.2
3"	HQ008	185	343.7	142	87	265	160	29
4"	HQ015	205	385.7	142	87	265	160	37.4

Dimensions		
VALVE	L	L2
1/4"	63.7	70
3/8"	63.7	70
1/2"	65.7	75
3/4"	76.2	90
1"	86.2	100
1 1/4"	102.8	110
1 1/2"	119.4	125
2"	131.4	150
2 1/2"	164	190
3"	182.7	220
4"	235.6	270

Full Bore Dimensions								
Size	Model	A	B	C	D	F	G	W (kg)
2"	HQ008	142.8	322.7	100	70	258	120	15.1
2 1/2"	HQ008	185	343.7	100	70	258	120	15.2
3"	HQ015	205	385.7	142	87	338	160	29
4"	HQ015	240	400.6	142	87	338	160	37.4

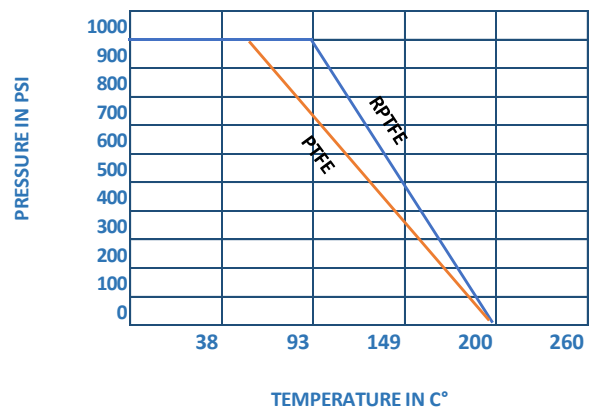


- Connection Options**  
 BSPP  
 BSPT  
 NPT  
 Socket Weld  
 Butt Weld



HQ008-HQ020

PRESSURE V TEMPERATURE CHART



# TECHNICAL SPECIFICATIONS

Actuator Specification for HQ005		Actuator Specification for HQ008/HQ0020
Enclosure	Weaterproof IP67	Weaterproof IP67
Power Supply	110/220V 50/60Hz, 24 VAC/VDC	110/220V 1PH, 24 VAC/VDC, 380/440 AC 3PH
Operating Time	13 Secs	see chart
Limit Switches	4 x SPDT, 250V AC 3A	4 x SPDT, 250V AC 10A
Space Heater	2W	10W (110/240V AC) Anti Condensation Heater
Manual Override	Handwheel Declutchable	Handwheel Declutchable
Duty Cycle (on/off duty)	S4, 70% (avarage load of 80% for Max. torque) S2, 50% (avarage load of 80% for Max. torque)	S4, 70% standad, 100% for Max 30 mins
Travel Angle	90°	90°
Conduit Entries	2 x M20	2 x M25 (PG13.5 or 1/2" NPT Option)
Ambient Temperature	minus 20° C to + 80° C	-20° C to + 70° C
External Coating	Dry Powder, Polyester	Dry Powder, Polyester

## Actuator Specification

Type (model)	Max Output Torque	Operating Time 50/60Hz	Motor Class	Rated Current (A)				Weight W (kg)
				24VAC	110VAC	220 VAC	24 VDC	
		90						
HQ005	50NM	14/13Secs		0.8	0.1	0.05	0.8	2.6
HQ008	80NM	16/13 Secs	103/103	2.6	1.1	0.55	2.6	7.4
HQ015	150NM	25/21 Secs	185/166	8.8	1.65	0.88	8.8	16.6
HQ020	200NM	25/21 Secs	185/166	9.8	1.67	0.89	9.6	16.6

Size	Electric Actuator Reduced Bore
1/4"	HQ005
3/8"	HQ005
1/2"	HQ005
3/4"	HQ005
1"	HQ005
1.1/4"	HQ005
1.1/2"	HQ005
2"	HQ005
2.1/2"	HQ008
3"	HQ008
4"	HQ015

## Valve Specification

Body	CF8M
Thread	BSP, NPT & Butt
Seat	Carbon Filled PTFE
Stem Seal	PTFE
Ball	SU316
Pressure Rating	up to 2000 PSI
Ends	CF8M
Approvals	ATEX, CE, PED

### OPTION SPECIFICATION

PIU	:	Potentiometer Unit (1K – 10K)
PCU	:	Proportional Control Unit (In/Out: 0-10VDC, 4-20mA)
CPT	:	Current Position Transmitter (Output 4-20mA)
TS	:	Torque overload indicator module (single & redundancy)