



Series 77 Electric Actuated Stainless 3 Piece Ball Valve

- **Powerful Electric Actuator**
- **Full Bore 316 St. St Ball Valve**
- **Various End Connection Options**
- **Actuator has Limit Switches**
- **Manual Override**
- **Options for Modulation (control)**



Description

A full bore 3 piece ball valve in 316 stainless steel, fitted with a powerful IP65 electric actuator. Suitable for slightly aggressive media, make this combination a reliable and compact unit.

Valve pressures up to 1000 PSI.

Temperature Range -20°C to 180°C

Many Options available.



Beschreibung

Mit vollem Durchgang 3 Stück Kugelhahn in Edelstahl 316, mit einem leistungsfähigen IP65 elektrischer Antrieb montiert. Geeignet für leicht aggressive Medien, machen diese Kombination eine zuverlässige und kompakte Einheit.

Ventil Drücke bis zu 1000 PSI.

Temperaturbereich -20°C bis 180°C

Viele Optionen zur Verfügung.



Descripción

Una válvula de paso total de 3 piezas bola en acero inoxidable 316, equipado con un potente actuador eléctrico IP65. Adecuado para medios poco agresivos, hacen de esta combinación una unidad fiable y compacto.

Presiones de la válvula hasta 1000 PSI.

Rango de temperatura de -20°C a 180°C

Muchas opciones disponibles.



Description

Un passage intégral 3 vanne pièce de boule en acier inoxydable 316, équipée d'un actionneur électrique puissant IP65. Convient pour les médias peu agressif, faire de ce rapprochement une unité fiable et compact.

Pressions de Valve jusqu'à 1000 PSI.

Plage de température de -20°C à 180°C

Nombreuses options disponibles.

Description

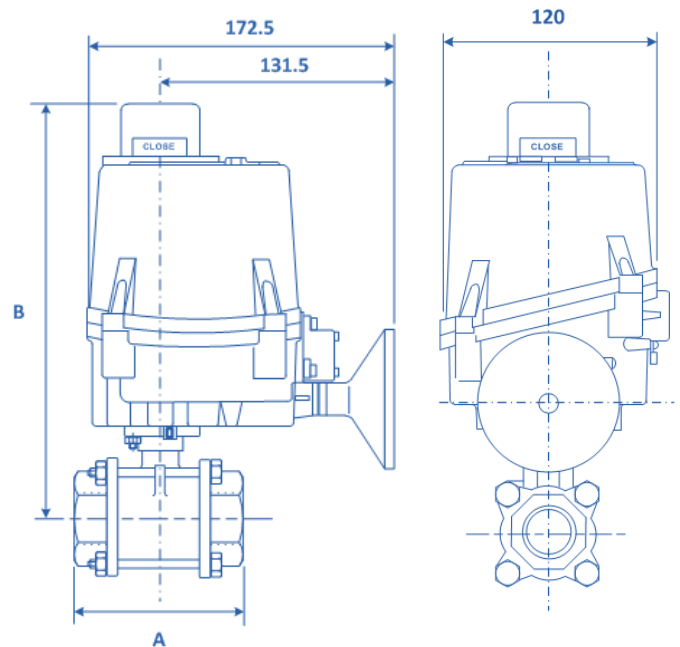
A perfect combination of a series 77 fully maintainable, full bore ball valve and powerful HQ electric rotary ¼ turn actuator. The valve is manufactured in 316 stainless steel and is a 3 piece design that's fully maintainable. The seats are reinforced PTFE. The end connections come in options for BSPP, BSPT, NPT, Socket and Butt (SCH40) weld. The actuator can be supplied with various control options in a wide range of voltages. This unit offers as standard limit switches, condensation heaters, optical indicator and manual override.

HQ005 Model

HQ005 standard actuator fitted to our full bore 1000 psi rated stainless steel ball valve offers On/Off control (power to open and power to close) for automatic isolation. Wiring diagrams are in the lid of the actuator and online. This actuator fits neatly onto the three piece valve and offers a perfect match, giving economy, performance and long life.

Features

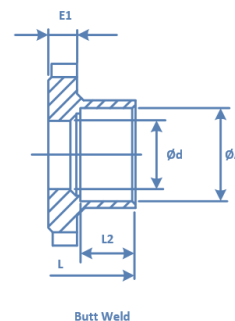
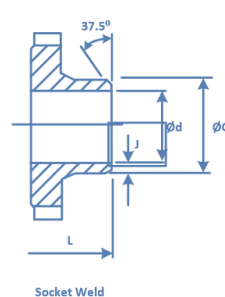
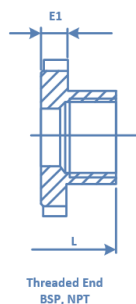
- Multi voltage design (Single phase & 24V)
- High corrosion resistance, anodized & painted housing
- 4 off Limit switches
- Torque output: 50 Nm
- low current, long-life actuator due to unique brushless DC motor ensuring high reliability
- 2 off M20 cable entries
- IP67 weatherproof enclosure
- F03/F04/F05/FO7 mounting base with 14mm Star drive
- Captive cover bolts
- Visual beacon indicator & LED lamps
- 70% Duty Rating (on/off only)
- Declutchable manual override handwheel
- Electronic torque limiter



Size	Electric Actuator	A	B	W (kg)
1/4"	HQ005	63.7	224.1	3.06
3/8"	HQ005	63.7	224.1	3.08
1/2"	HQ005	65.7	224.1	3.11
3/4"	HQ005	76.2	230	3.49
1"	HQ005	86.2	238.6	3.87
1.1/4"	HQ005	102.8	242.9	4.64
1.1/2"	HQ005	119.4	259.5	5.6
2"	HQ005	131.4	267.2	6.4

Dimensions

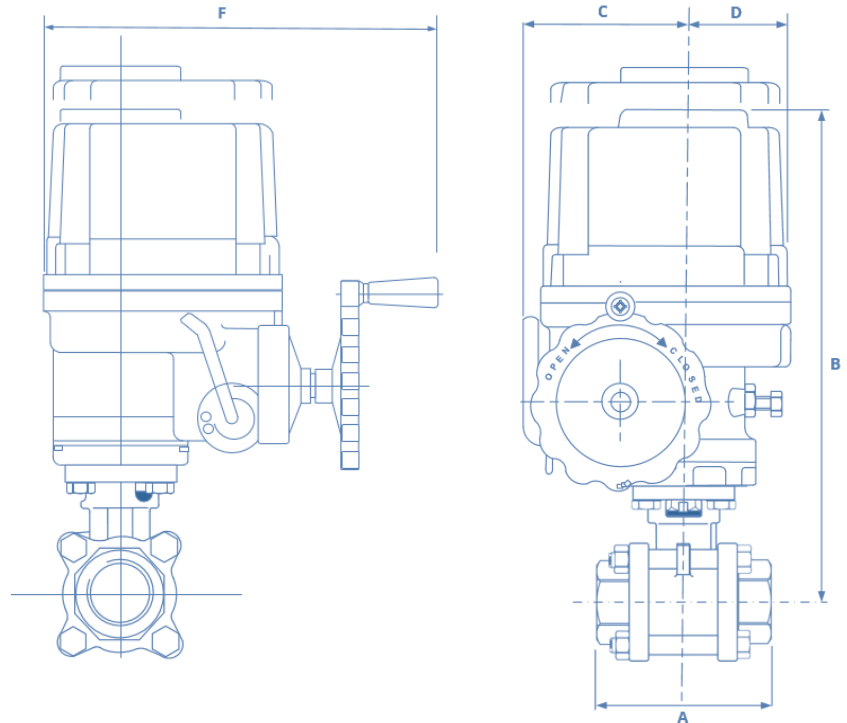
VALVE	L	L2
1/4"	63.7	70
3/8"	63.7	70
1/2"	65.7	75
3/4"	76.2	90
1"	86.2	100
1 1/4"	102.8	110
1 1/2"	119.4	125
2"	131.4	150
2 1/2"	164	190
3"	182.7	220
4"	235.6	270



Connection Options
BSPP
BSPT
NPT
Socket Weld
Butt Weld

HQ008 to HQ015

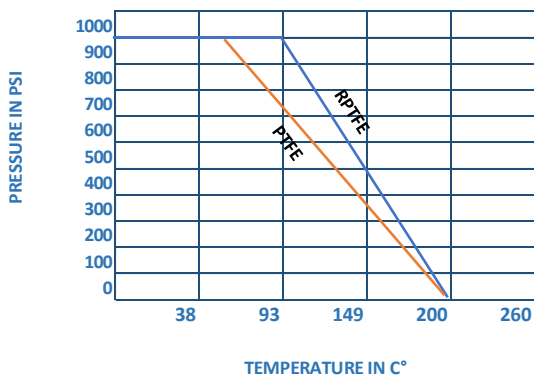
HQ008 – HQ015 Electric Actuator is a much more robust unit and offers On/Off control (power to open and power to close) for automatic isolation. Wiring diagrams are in the lid of the actuator and also online. This actuator fits neatly onto the three piece full bore ball valve and offers a perfect match, giving performance and longlife.



DIMENSIONS

Size	Model	A	B	C	D	F	G	W (kg)
2 1/2"	HQ008	164	343.7	100	70	208	120	15.2
3"	HQ015	182.7	385.7	142	87	265	160	29
4"	HQ020	235.6	400.6	142	87	265	160	37.4

PRESSURE V TEMPERATURE CHART

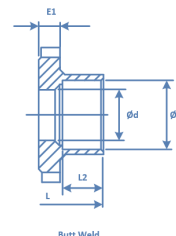
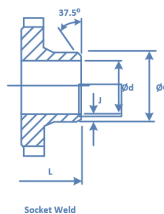
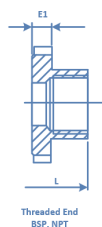


VALVE	L	L2
1/4"	63.7	70
3/8"	63.7	70
1/2"	65.7	75
3/4"	76.2	90
1"	86.2	100
1 1/4"	102.8	110
1 1/2"	119.4	125
2"	131.4	150
2 1/2"	164	190
3"	182.7	220
4"	235.6	270



HQ008-HQ020

- Connection Options
 BSPP
 BSPT
 NPT
 Socket Weld
 Butt Weld



TECHNICAL SPECIFICATIONS

Actuator Specification for HQ005		Actuator Specification for HQ008/HQ0020
Enclosure	Weaterproof IP67	Weaterproof IP67
Power Supply	110/220V 50/60Hz, 24 VAC/VDC	110/220V 1PH, 24 VAC/VDC, 380/440 AC 3PH
Operating Time	13 Secs	see chart
Limit Switches	4 x SPDT, 250V AC 3A	4 x SPDT, 250V AC 10A
Space Heater	2W	10W (110/240V AC) Anti Condensation Heater
Manual Override	Handwheel Declutchable	Handwheel Declutchable
Duty Cycle (on/off duty)	S4, 70% (avarage load of 80% for Max. torque) S2, 50% (avarage load of 80% for Max. torque)	S4, 70% standad, 100% for Max 30 mins
Travel Angle	90°	90°
Conduit Entries	2 x M20	2 x M25 (PG13.5 or 1/2" NPT Option)
Ambient Temperature	minus 20° C to + 80° C	-20° C to + 70° C
External Coating	Dry Powder, Polyester	Dry Powder, Polyester

Actuator Specification

Type (model)	Max Output Torque	Operating Time 50/60Hz	Motor Class	Rated Current (A)				Weight W (kg)
				24VAC	110VAC	220 VAC	24 VDC	
		90						
HQ005	50NM	14/13Secs		0.8	0.1	0.05	0.8	2.6
HQ008	80NM	16/13 Secs	103/103	2.6	1.1	0.55	2.6	7.4
HQ015	150NM	25/21 Secs	185/166	8.8	1.65	0.88	8.8	16.6
HQ020	200NM	25/21 Secs	185/166	9.8	1.67	0.89	9.6	16.6

Size	Electric Actuator
1/4"	HQ005
3/8"	HQ005
1/2"	HQ005
3/4"	HQ005
1"	HQ005
1.1/4"	HQ005
1.1/2"	HQ005
2"	HQ005
2.1/2"	HQ008
3"	HQ015
4"	HQ015

Valve Specification

Body	CF8M
Thread	BSPT Female
Seat	Reinforced PTFE
Stem Seal	PTFE
Ball	SU316
Pressure Rating	1000 PSI
Ends	CF8M
Approvals	ATEX, CE, PED

OPTION SPECIFICATION

PIU	:	Potentiometer Unit (1K – 10K)
PCU	:	Proportional Control Unit (In/Out: 0-10VDC, 4-20mA)
CPT	:	Current Position Transmitter (Output 4-20mA)
TS	:	Torque overload indicator module (single & redundancy)