



Mars Series 94D-10, ANSI 150 Flanged Stainless Steel Ball Valve

- Stainless Steel Full Bore Ball Valve
- Sizes from 1/2" - 4"
- 2 Piece Split Body
- ANSI 150 Flanges
- RPTFE Seats
- ISO Mounting Pad for Easy Actuation
- Supplied with Lever Handle
- Blow-Out Proof Stem

Can be used with



Description

The Mars Series 94D-10 is probably one of the most popular and commonly requested ANSI 150 flanged ball valves we offer and one that is used throughout many different industries. Offering both quality and economy this 2 piece full flow ball valve is manufactured in stainless steel and is equipped with an ISO mounting top for ease of actuation, but is supplied with a lockable lever handle. RTFE/PTFE Seats, self adjusting stem sealing and anti blow out stem are among the added benefits of this valve. Sizes range from 1/2" up to 4" DN15 - DN100. Temperatures range - 20°C to + 180°C.

Compliance Standard:

ANSI B16.34, ANSI B16.5, ANSI B16.10, API 509, API 607, BS5351, BS6755, ISO 5211, DIN 3337, DIN 3202, DIN 2501, MSS SP25, MSS SP55, JIS B2002, JIS B2212, JIS B2003

Material Certificate: EN 10204 - 3.1

Options

API 607 and BS6755 Fire Safe Design on Request



Description

The series 94D-10 is a stainless steel ANSI 150 flanged full bore ball valve. Seats are RTFE/PTTFE and body which is investment cast is in 316. Rated to ANSI 150 this valve is designed for both manual (lever handle) and automatic isolation of fluids and gases.



Beschreibung

Die Serie 94D-10 ist ein Edelstahl-ANSI 150-Flansch-Kugelhahn mit vollem Durchgang. Die Sitze sind aus RTFE/PTTFE und das Gehäuse aus Feinguss ist aus 316. Dieses Ventil ist gemäß ANSI 150 ausgelegt und sowohl für die manuelle (Hebelgriff) als auch für die automatische Absperrung von Flüssigkeiten und Gasen ausgelegt.



Descripción

La serie 94D-10 es una válvula de bola de paso total con brida ANSI 150 de acero inoxidable. Los asientos son de RTFE / PTFE y el cuerpo de fundición de inversión es de 316. Con clasificación ANSI 150, esta válvula está diseñada para aislamiento manual (palanca) y automático de fluidos y gases.

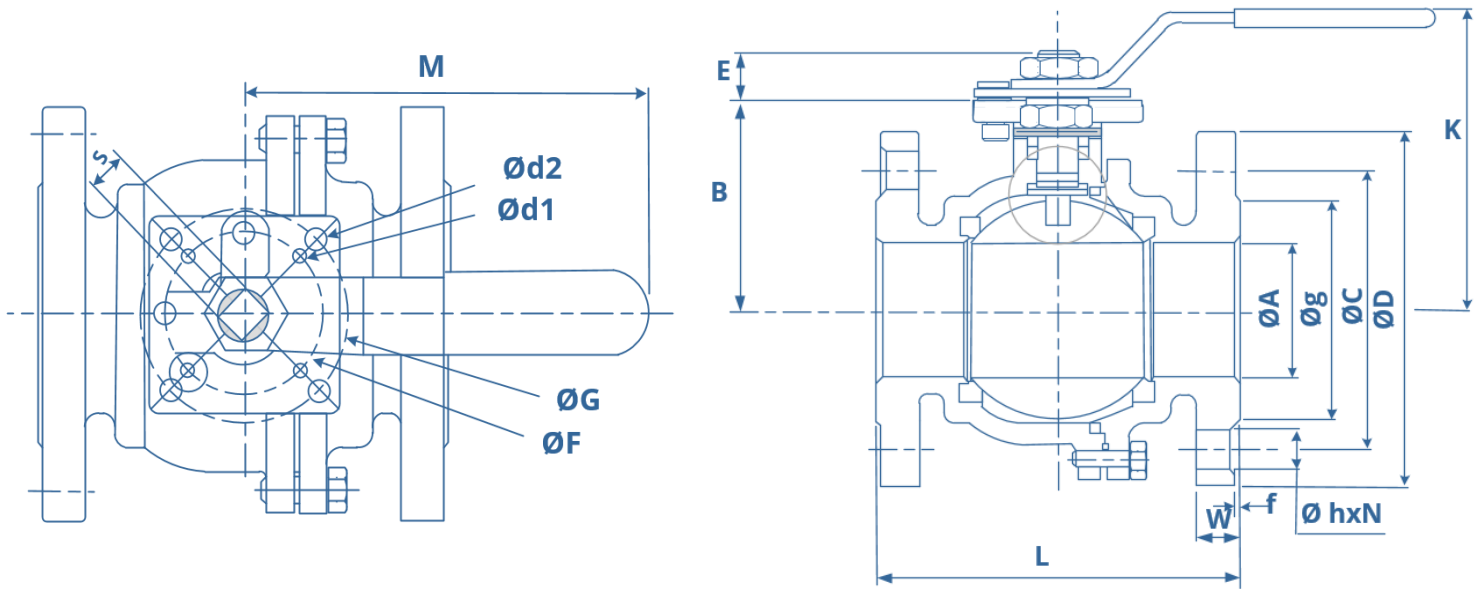


Description

La série 94D-10 est une vanne à boisseau sphérique à passage intégral à bride ANSI 150 en acier inoxydable. Les sièges sont en RTFE/PTTFE et le corps en fonte de précision est en 316. Conforme à la norme ANSI 150, cette vanne est conçue à la fois pour l'isolement manuel (poignée à levier) et automatique des fluides et des gaz.



BV5181



Dimensions - 94-D (ANSI 150) mm

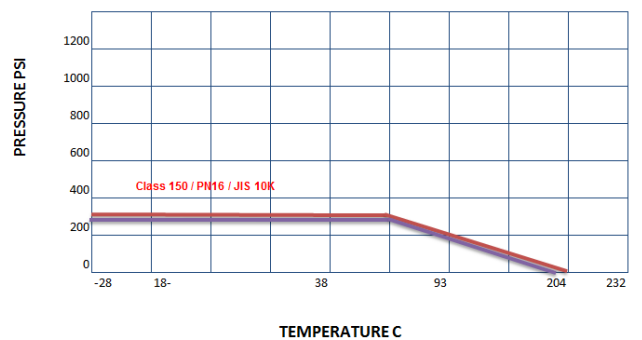
Size	ØA	B	E	L	S	K	M	ØF	ØG	Ød1	Ød2	End Flange (PN16)						Wt (Kg)	ISO5211	
												ØD	ØC	Øh	Øg	N	W			f
1/2"	15	48	11	108	9	80	130	36	42	6	6	89	60.5	16	35	4	11.5	1.6	1.73	F03/F04
3/4"	20	53	11	117	9	80	130	36	42	6	6	98	70	16	43	4	11.5	1.6	2.13	F04/F04
1"	25	59	14	127	11	90	165	42	50	6	7	108	79.5	16	51	4	11.5	1.6	2.92	F04/F05
1 1/4"	32	71	14	140	11	102	165	42	50	6	7	117	89	16	64	4	12.7	1.6	4.02	F04/F05
1 1/2"	38	76	18	165	14	110	205	50	70	7	9.2	127	98.5	16	73	4	14.3	1.6	5.9	F05/F07
2"	50	85	18	178	14	120	205	50	70	7	9.2	152	120.5	19	92	4	15.9	1.6	8.72	F05/F07
2 1/2"	65	93.5	23	190	17	140	300	70	102	9.2	11.4	178	139.5	19	105	4	17.8	1.6	13.33	F07/F10
3"	80	103	23	203	17	150	340	70	102	9.2	11.4	190	152.5	19	127	4	19.1	1.6	17.03	F07/F10
4"	100	132	25	229	22	180	420	102	125	11.4	13.5	229	190.5	19	157	8	24	1.6	29.98	F10/F12

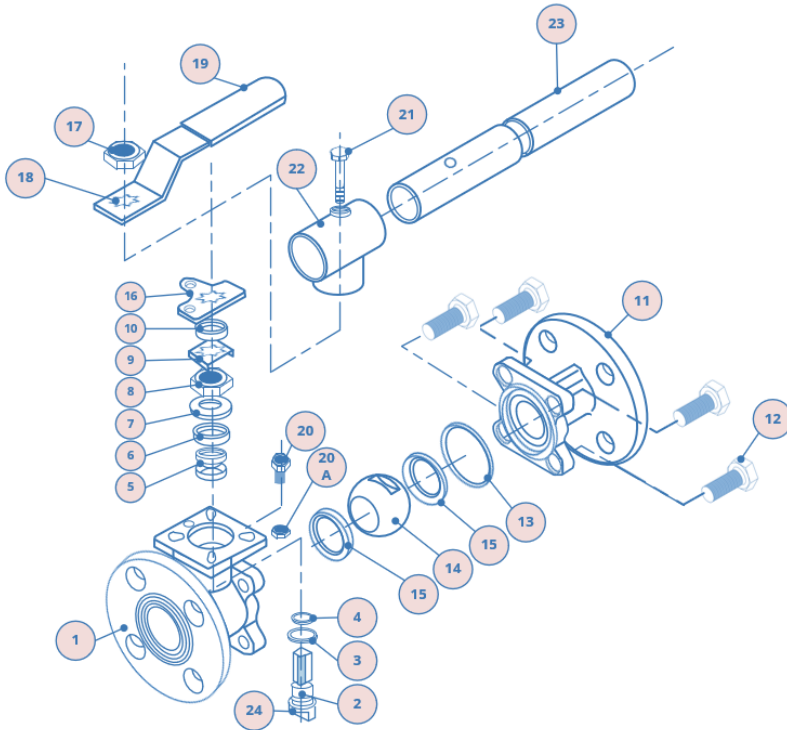
Break Away Torque & Cv Values

Size	DN	Inch-Lb	NM	.S.GPM	Kv M3/hour
1/2"	15	62	7	7.5	6.5
3/4"	20	80	9	16	14
1"	25	89	10	40	34
1 1/4"	32	124	14	70	60
1 1/2"	40	195	22	110	95
2"	50	222	25	240	206
2 1/2"	65	558	63	400	344
3"	80	665	75	700	602
4"	100	1320	149	980	843

PRESSURE / TEMPERATURE CHART

RPTFE SEATS





The mars series 94D-10 direct mount ball valve sets a new standard for actuator mounting. Enhances functional performance with easy installation and lower maintenance costs.

Materials

No.	Part Name	Material	Qty
1	Body	CF8M/1.4408	1
2	Stem	SS316	1
3	Stem Seal	RPTFE	1
4	O-Rig	VITON	1
5	Stem Packing	Graphite	2
6	Gland	SS304	1
7	Belleville Washer	SS301	2
8	Stem Nut	SS304	1
9	Nut Lock	SS304	1
10	Space Washer	SS304	1
11	Flange End	CF8M/1.4408	1
12	Bolts	SS304	*
13	Gasket	PTFE	1
14	Ball	SS316	1
15	Ball Seat	PTFE/RPTFE	2
16	Stopper	SS304	1
17	Handle Nut	SS304	1
18	Handle	SS304	1
19	Handle Sleeve	Vinyl	1
20	Position Pin	SS304	1
20A	Pin Nut	SS304	1
21	Set Bolt	SS304	1
22	Lever Head	CF8	1
23	Lever	Steel pipe	1
24	Anti-Static Device	SS316	1



Easy To Actuate both
Pneumatically and Electrically